

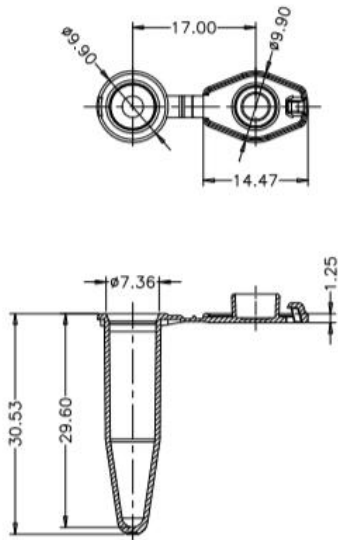
| | |
|--------------------------------|--|
| Product Name: | Microcentrifuge Tubes |
| Product Application: | <p>NEST centrifuge tubes could be commonly used to collect cells and separate biomacromolecules by centrifugation in biochemistry and other biological fields.</p> <p>Available in two colors: Amber and clear. Amber centrifuge tubes can also be used to store photosensitive samples and special chemiluminescence reagents.</p> |
| Product Materials: | <p>polypropylene (PP).</p> <p>Meets USP, Class VI standards</p> |
| product Specifications: | <p>Temperature range: stored at room temperature</p> <p>Shelf life: 5 Years after date of production (ensure package is in good)</p> |
| Sterilization: | <p>Yes (some of all catalog numbers).</p> <p>Sterilized by E-beam, Sterility Assurance Level: SAL=10⁻⁶. The product has been irradiated and dosimetrically released based on ANSI/AAMI/ISO 11137</p> |
| Pyrogens: | Non-Pyrogenic |
| RNase/DNase: | DNase/RNase free |
| BSE/TSE: | These products are deemed animal free. |
| Performance Testing: | <p>Each manufacturing lot is sampled and tested in accordance with standard operating procedures.</p> <p>Appearance inspection: qualified Sealing test: qualified</p> <p>Freeze testing: qualified Packaging inspection: qualified</p> |
| Features | <ol style="list-style-type: none"> Using imported PP materials, resistant to chemical corrosion and low temperature, compliant to USP Class-6 standard. Ultra-high centrifugal stability, centrifugal tolerance up to 30000xg Clear graduations and frosted marking area. Special safelock cap design provides secure lid sealing. Tube cap can be opened or closed with one hand, easy to operate. Withstand temperature ranging from -80 to 121°C. Available in sterile or unsterile options. None of DNA/RNA enzyme, Endotoxin unit less than 0.1 EU. Available in two colors: Amber and clear. <p>Amber centrifuge tubes can be used to store photosensitive samples and special chemiluminescence reagents.</p> |

| | |
|-----------------------------|--|
| Product Name: | Micro Tube Box |
| Product Application: | <p>Centralized storage of microtubes.</p> <p>Low temperature resistant, can be used for low temperature centralized storage of biological samples in microtubes.</p> |
| Product Materials: | Polypropylene, PP (base) + polycarbonate, PC (cover) |

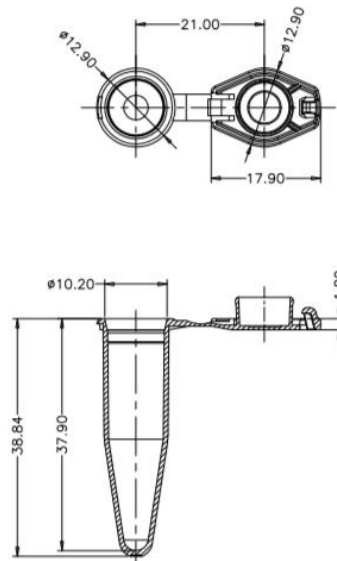
Head Office No. 530, Xida Road, Meicun Industrial Park, Xinwu District, Wuxi, Jiangsu, China
 Tel: +86+ 510-6800 6788 Email: info@nest-wuxi.com
 Online: www.cell-nest.com

Oversea NEST USA (New Jersey/ Phoenix)
 NEST scientific 株式会社 (Yokohama, Japan)
 NEST Scientific Europe B.V (Netherlands)
 Nest Scientific (MENA) FZE (Sharjah, United Arab Emirates)

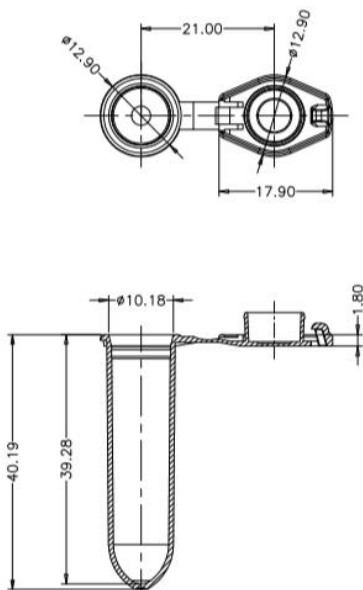
0.6 mL



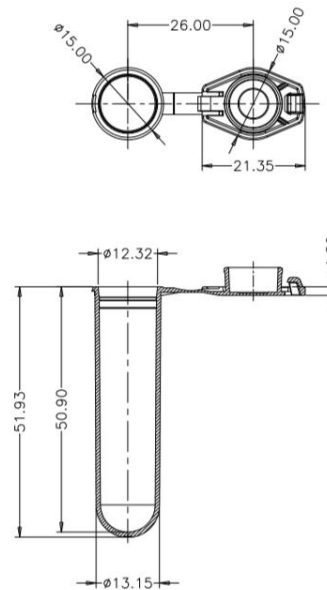
1.5 mL



2.0 mL



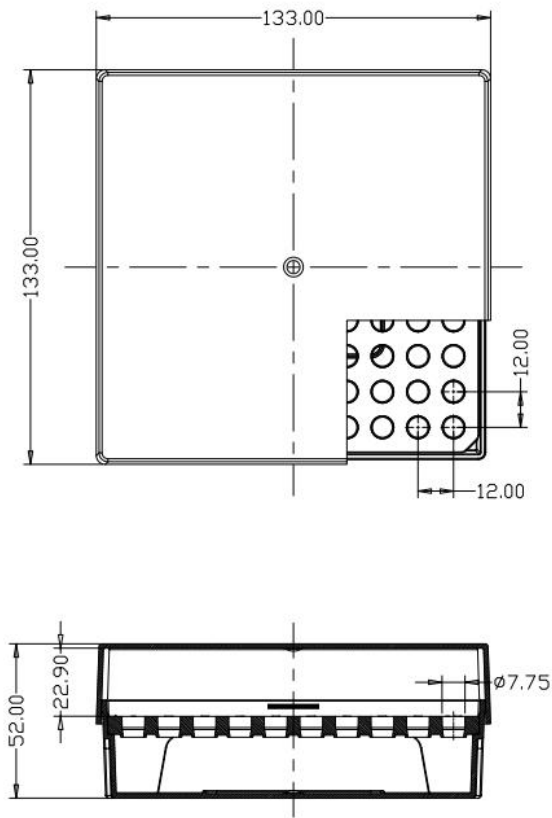
5.0 mL



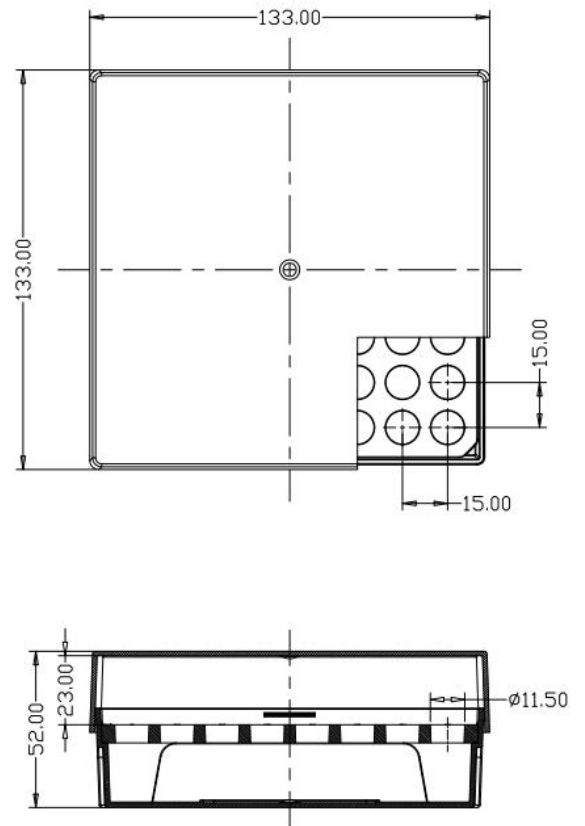
Head Office No. 530, Xida Road, Meicun Industrial Park, Xinwu District, Wuxi, Jiangsu, China
 Tel: +86+ 510-6800 6788 Email: info@nest-wuxi.com
 Online: www.cell-nest.com

Oversea NEST USA (New Jersey/ Phoenix)
 NEST scientific 株式会社 (Yokohama, Japan)
 NEST Scientific Europe B.V (Netherlands)
 Nest Scientific (MENA) FZE (Sharjah, United Arab Emirates)

0.6ml Micro Centrifuge Tube Box(10*10)



1.5/2.0ml Micro Centrifuge Tube Box(8*8)



Head Office

No. 530, Xida Road, Meicun Industrial Park, Xinwu District, Wuxi, Jiangsu, China
Tel: +86+ 510-6800 6788 Email: info@nest-wuxi.com
Online: www.cell-nest.com

Oversea

NEST USA (New Jersey/ Phoenix)
NEST scientific 株式会社 (Yokohama, Japan)
NEST Scientific Europe B.V (Netherlands)
Nest Scientific (MENA) FZE (Sharjah, United Arab Emirates)