

<b>Product Name:</b>	<b>Deep Well Plate</b>
<b>Product Application:</b>	<p>The deep well plates of NEST have a variety of specifications, conforming to the needs of fully automatic workstations and experiments.</p> <p><b>1. Sample storage:</b> it can replace the conventional 1.5ml centrifuge tube to store samples, and can be arranged tidily to save space, with large storage capacity, and can withstand the -80°C refrigerator condition. Therefore, it's also called storage plate.</p> <p><b>2. Sample processing:</b> it can be used in combined with multipass pipettes, high-throughput automatic liquid processors and respective softwares to allow the high-throughput operation of biological samples, for example, protein precipitation, liquid extraction, nucleic acid extraction, etc. Greatly improve the efficiency of sample processing. Can withstand high temperature and high pressure sterilization at 121°C.</p> <p><b>3. Sample injection:</b> suitable for the automatic devices of various companies, it can be directly placed in the sample compartment of the automatic device for injection. Compared to conventional sample injection, it can not only double the sample amount placed in the sample compartment, but also realizes the direct sample injection of samples after processing on the 96-well plate, eliminating the tedious work of pipetting and placing samples back and forth.</p>
<b>Product Materials:</b>	<p><b>polypropylene (PP).</b> Meets <i>USP, Class VI standards</i></p>
<b>product Specifications:</b>	<p>Temperature range: stored at room temperature Shelf life: 5 years after date of production ( ensure package is in good )</p>
<b>Sterilization:</b>	<p><b>Yes (Sterile Cat.No).</b> Sterilized by E-beam, Sterility Assurance Level: SAL=10<sup>-6</sup>. The product has been irradiated and dosimetrically released based on ANSI/AAMI/ISO 11137</p>
<b>Pyrogens:</b>	Non-Pyrogenic
<b>RNase/DNase:</b>	DNase/RNase free
<b>BSE/TSE:</b>	These products are deemed animal free.
<b>Performance Testing:</b>	<p>Each manufacturing lot is sampled and tested in accordance with standard operating procedures.</p> <p>Appearance inspection: qualified                      Centrifugation test: qualified Freeze test: qualified                                      Autoclave test : qualified Packaging inspection: qualified</p>
<b>Features</b>	<ol style="list-style-type: none"> <li>USP VI Polypropylene material, High chemical stability. Compatible with DMSO and inert to water.</li> <li>Withstand temperature range: -80°C to 120°C.</li> <li>Autoclavable</li> </ol>

4. Centrifugal strength up to 3000g
5. Compatible with multi-channel pipette and automatic equipment
6. Optimized bottom design to minimize residual volume
7. Alphabetical sorting and corner cut marking for convenient tracking of samples.
8. Conform to SBS/ ANSI
9. Specific 96 well deep plate used in nucleic acid extraction
10. Stackable, reliable tight sealing
11. Non-pyrogenic, DNase/RNase free

## Product Range

### Round Well

Cat. No.	Product Description	sterilized	Packing
504102	3.5 mL 48-Well Deep Well Plate, U-Bottom, Round Well	customizable	5/pack, 50/case
500101	0.36 mL 96-Well Deep Well Plate, V-Bottom, Round Well	NO	10/pack, 50/case
501102	0.4 mL 96-Well Deep Well Plate, U-Bottom, Round Well	YES	10/pack, 50/case
501101	0.5 mL 96-Well Deep Well Plate, V-Bottom, Round Well	NO	10/pack, 50/case
501601		YES	5/pack, 50/case
502102	1.0 mL 96-Well Deep Well Plate, U-Bottom, Round Well	NO	5/pack, 50/case
502162		YES	5/pack, 50/case
507001	1.3mL 96-Well Deep Well Plate, U-Bottom, Round Well	NO	5/pack, 50/case
507101		YES	5/pack, 50/case
503102	2.0 mL 96-Well Deep Well Plate, U-Bottom, Round Well	NO	5/pack, 50/case
503162		YES	5/pack, 50/case

### Square Well

Cat. No.	Product Description	Sterilized	Packing
504002	4.6 mL 48-Well Deep Well Plate, U-Bottom, Square Well	YES	5/pack, 50/case
504062		NO	5/pack, 50/case
501002	1.0 mL 96-Well Deep Well Plate, U-Bottom, Square Well	NO	10/pack, 50/case
501062		YES	10/pack, 50/case
502002	1.6 mL 96-Well Deep Well Plate, U-Bottom, Square Well	customizable	5/pack, 50/case
503001	2.0 mL 96-Well Deep Well Plate, V-Bottom, Square Well	NO	5/pack, 50/case
503501		YES	5/pack, 50/case
503002	2.2 mL 96-Well Deep Well Plate, U-Bottom, Square Well	NO	5/pack, 50/case

#### Head Office

No. 530, Xida Road, Meicun Industrial Park, Xinwu District, Wuxi, Jiangsu, China  
 Tel: +86+ 510-6800 6788 Email: [info@nest-wuxi.com](mailto:info@nest-wuxi.com)  
 Online: [www.cell-nest.com](http://www.cell-nest.com)

#### Oversea

NEST USA (New Jersey/ Phoenix)  
 NEST scientific 株式会社 (Yokohama, Japan)  
 NEST Scientific Europe B.V (Netherlands)  
 Nest Scientific (MENA) FZE (Sharjah, United Arab Emirates)

503062	Square Well	YES	5/pack, 50/case
503711	2.2mL, 96-well, I-shaped, Square Well,	NO	5/pack, 50/case
503761	U-Bottom	YES	5/pack, 50/case
510011	<b>16mL 24-Well Deep Well Plate + Plastic Comb, Square Well, V-Bottom</b>	customizable	1 /pack, 25/case
510001	16mL 24-Well Deep Well Plate, Square Well, V-Bottom	YES	1/pack, 25/case
503621	NEST™Mag Pure® 2.2 mL 96-Well Deep Well Plate, V-Bottom, Square Well, Compatible with Kingfisher Flex &Presto	YES	5/pack, 50/case
503021		NO	
500621	NEST™Mag Pure® 0.5 mL 96-Well Deep Well Plate, V-Bottom, Square Well, Compatible with Kingfisher Flex &Presto	YES	5/pack, 50/case
500021		NO	5/pack, 50/case

## Technical Drawing

### Head Office

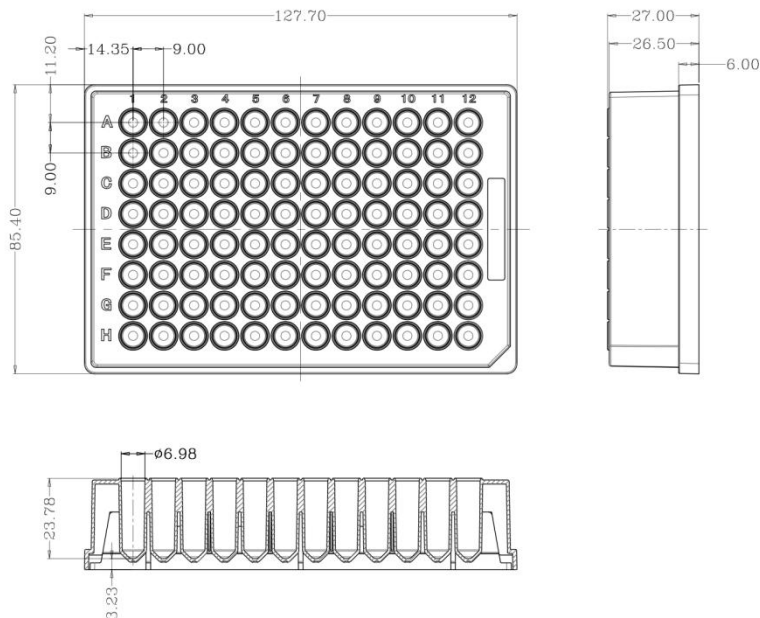
No. 530, Xida Road, Meicun Industrial Park, Xinwu District, Wuxi, Jiangsu, China  
 Tel: +86+ 510-6800 6788 Email: [info@nest-wuxi.com](mailto:info@nest-wuxi.com)  
 Online: [www.cell-nest.com](http://www.cell-nest.com)

### Oversea

NEST USA (New Jersey/ Phoenix)  
 NEST scientific 株式会社 (Yokohama, Japan)  
 NEST Scientific Europe B.V (Netherlands)  
 Nest Scientific (MENA) FZE (Sharjah, United Arab Emirates)

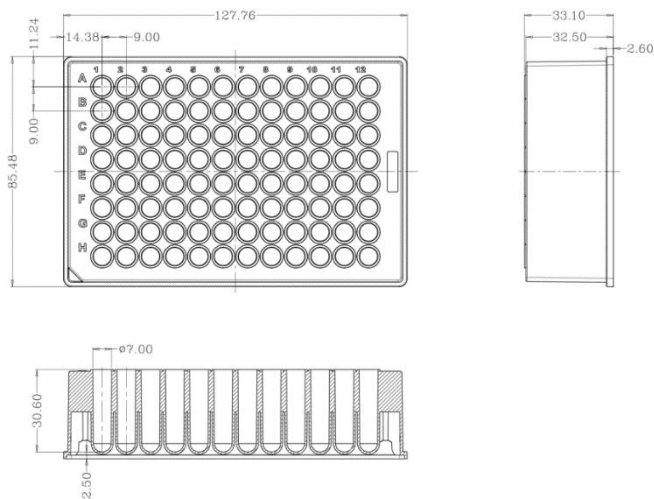
Cat.No.:501101/501601

501101



Cat.No.:502102/502162

502102



Cat.No.: 507001/507101

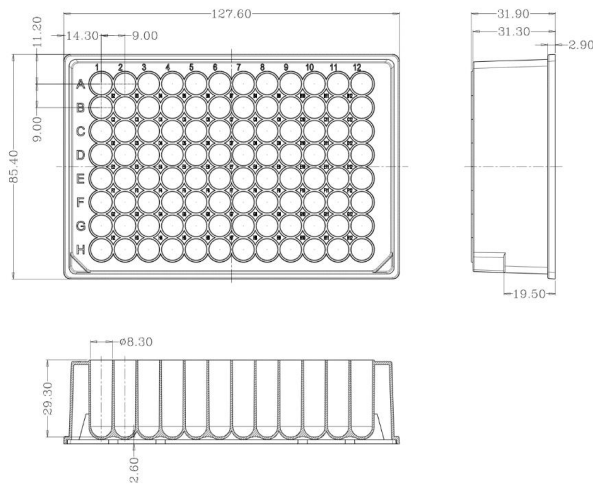
Head Office

No. 530, Xida Road, Meicun Industrial Park, Xinwu District, Wuxi, Jiangsu, China  
 Tel: +86+ 510-6800 6788 Email: [info@nest-wuxi.com](mailto:info@nest-wuxi.com)  
 Online: [www.cell-nest.com](http://www.cell-nest.com)

Oversea

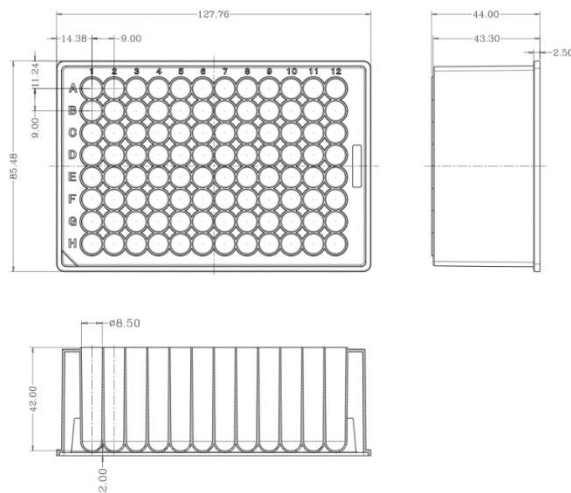
NEST USA (New Jersey/ Phoenix)  
 NEST scientific 株式会社 (Yokohama, Japan)  
 NEST Scientific Europe B.V (Netherlands)  
 Nest Scientific (MENA) FZE (Sharjah, United Arab Emirates)

507001



Cat.No.:503102/503162

503102



Cat.No.:504002/504062

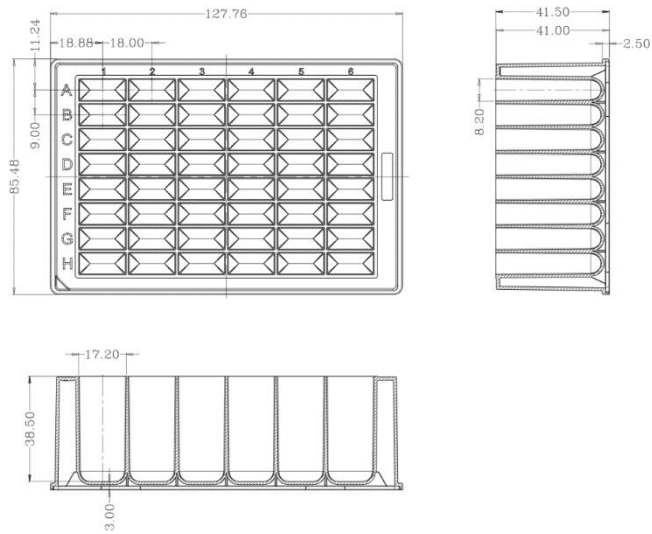
**Head Office**

No. 530, Xida Road, Meicun Industrial Park, Xinwu District, Wuxi, Jiangsu, China  
 Tel: +86+ 510-6800 6788 Email: [info@nest-wuxi.com](mailto:info@nest-wuxi.com)  
 Online: [www.cell-nest.com](http://www.cell-nest.com)

**Oversea**

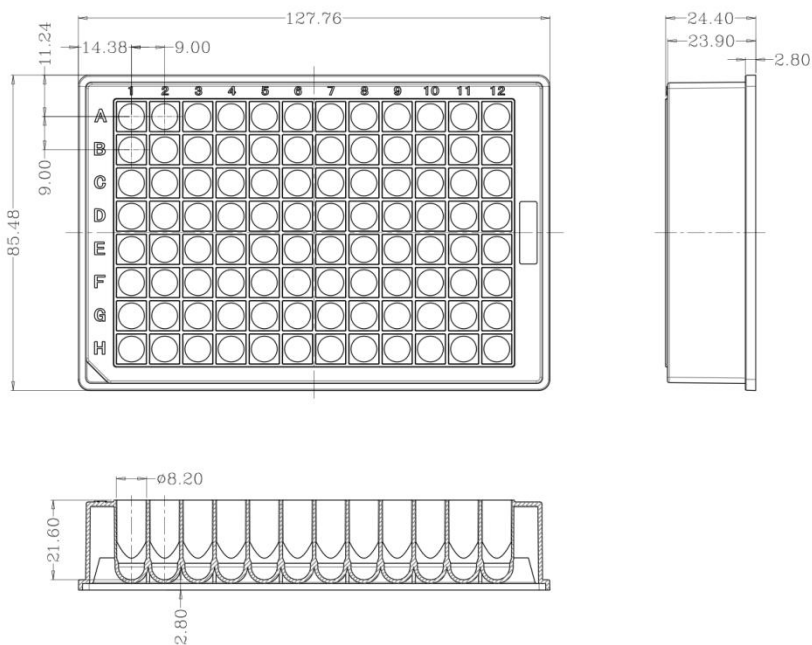
NEST USA (New Jersey/ Phoenix)  
 NEST scientific 株式会社 (Yokohama, Japan)  
 NEST Scientific Europe B.V (Netherlands)  
 Nest Scientific (MENA) FZE (Sharjah, United Arab Emirates)

504002



Cat.No.:501002/501062:

501002

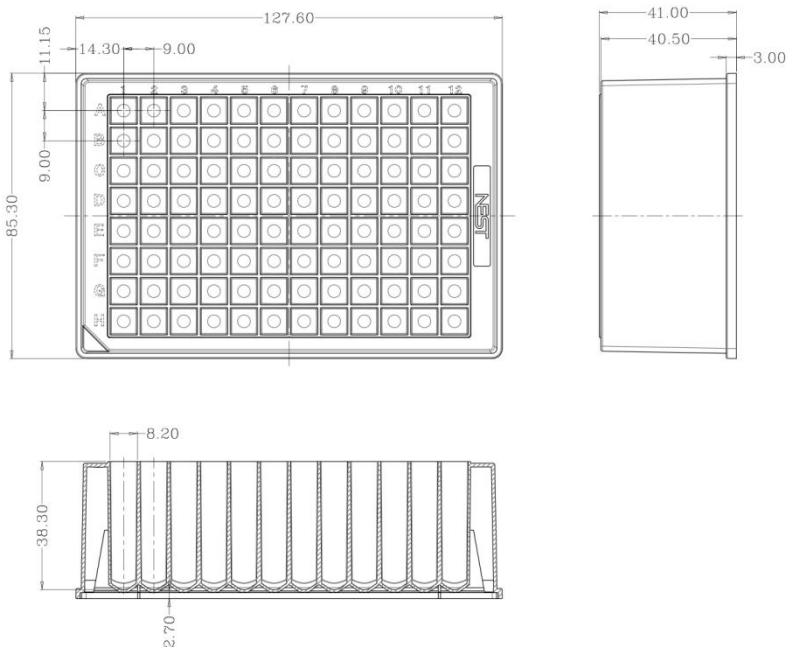


**Head Office**  
 No. 530, Xida Road, Meicun Industrial Park, Xinwu District, Wuxi, Jiangsu, China  
 Tel: +86+ 510-6800 6788 Email: [info@nest-wuxi.com](mailto:info@nest-wuxi.com)  
 Online: [www.cell-nest.com](http://www.cell-nest.com)

**Oversea**  
 NEST USA (New Jersey/ Phoenix)  
 NEST scientific 株式会社 (Yokohama, Japan)  
 NEST Scientific Europe B.V (Netherlands)  
 Nest Scientific (MENA) FZE (Sharjah, United Arab Emirates)

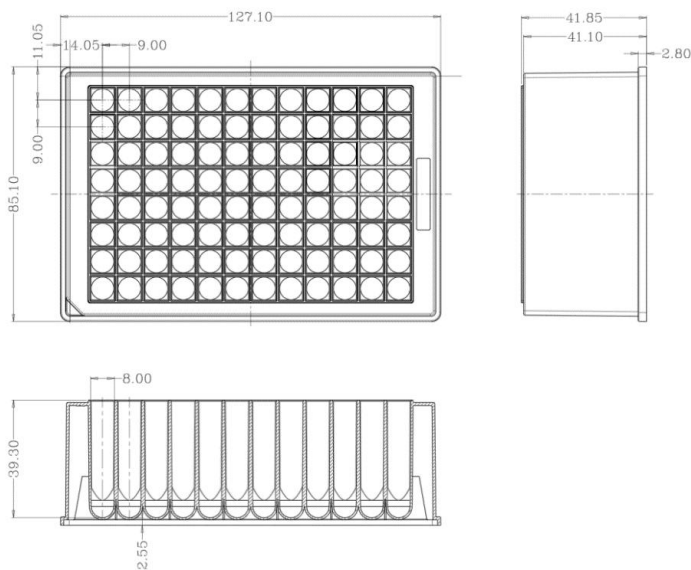
Cat.No.:503001/503501:

503001



Cat.No.:503002/503062:

503002



Cat.No.:503711/503761:

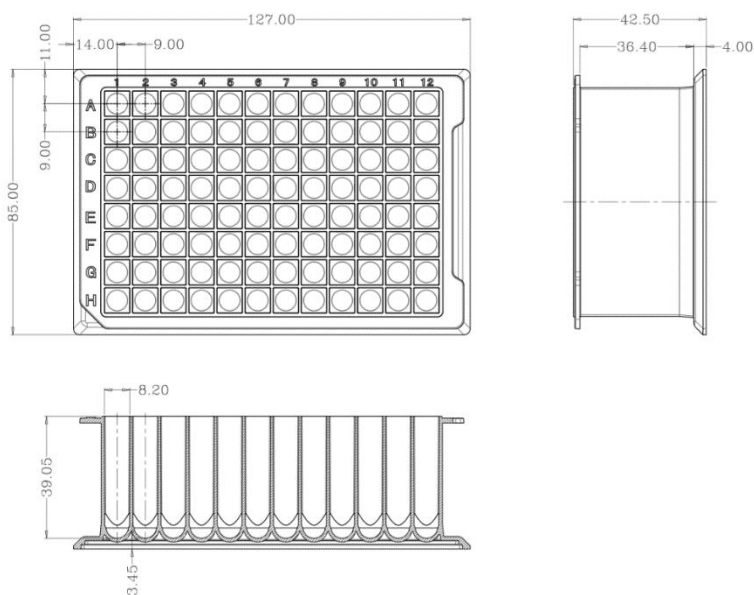
Head Office

No. 530, Xida Road, Meicun Industrial Park, Xinwu District, Wuxi, Jiangsu, China  
 Tel: +86+ 510-6800 6788 Email: [info@nest-wuxi.com](mailto:info@nest-wuxi.com)  
 Online: [www.cell-nest.com](http://www.cell-nest.com)

Oversea

NEST USA (New Jersey/ Phoenix)  
 NEST scientific 株式会社 (Yokohama, Japan)  
 NEST Scientific Europe B.V (Netherlands)  
 Nest Scientific (MENA) FZE (Sharjah, United Arab Emirates)

503711



Cat.No.:510011/510001/509001:

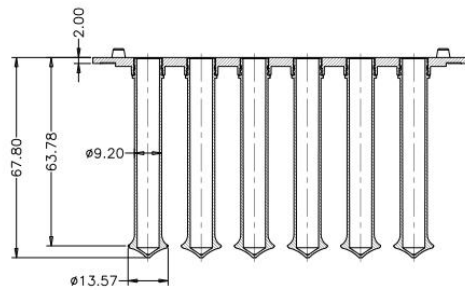
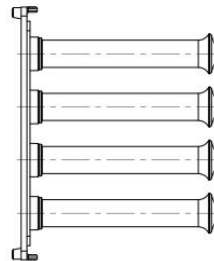
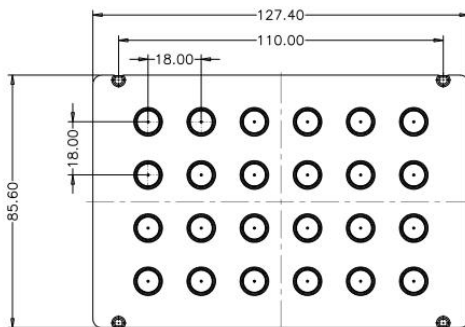
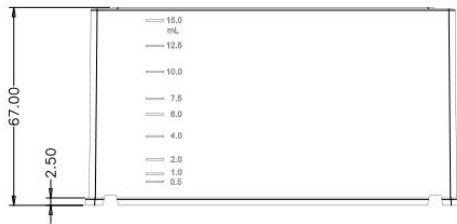
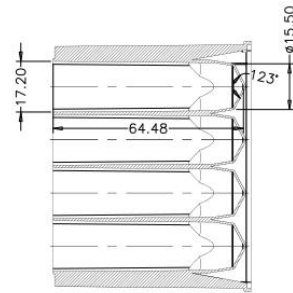
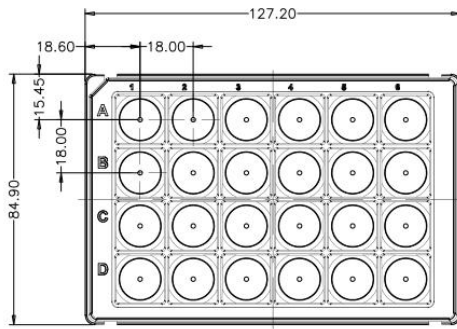
**Head Office**

No. 530, Xida Road, Meicun Industrial Park, Xinwu District, Wuxi, Jiangsu, China  
 Tel: +86+ 510-6800 6788 Email: [info@nest-wuxi.com](mailto:info@nest-wuxi.com)  
 Online: [www.cell-nest.com](http://www.cell-nest.com)

**Oversea**

NEST USA (New Jersey/ Phoenix)  
 NEST scientific 株式会社 (Yokohama, Japan)  
 NEST Scientific Europe B.V (Netherlands)  
 Nest Scientific (MENA) FZE (Sharjah, United Arab Emirates)





**Cat.No.503621/503021:**

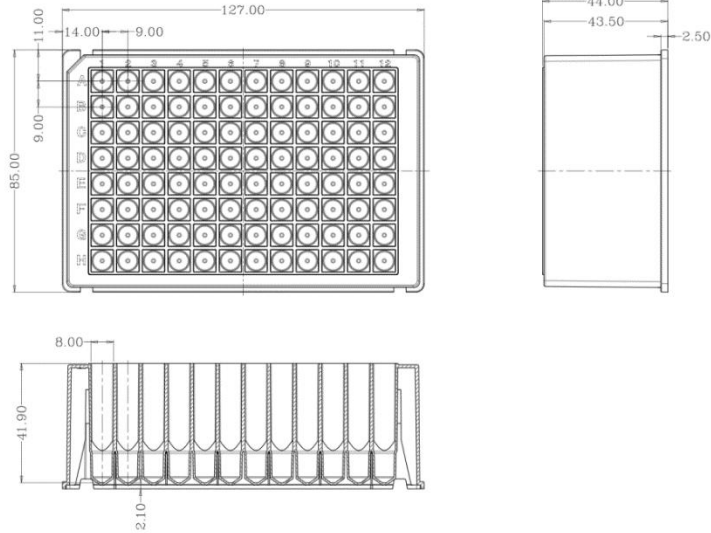
**Head Office**

No. 530, Xida Road, Meicun Industrial Park, Xinwu District, Wuxi, Jiangsu, China  
 Tel: +86+ 510-6800 6788 Email: [info@nest-wuxi.com](mailto:info@nest-wuxi.com)  
 Online: [www.cell-nest.com](http://www.cell-nest.com)

**Oversea**

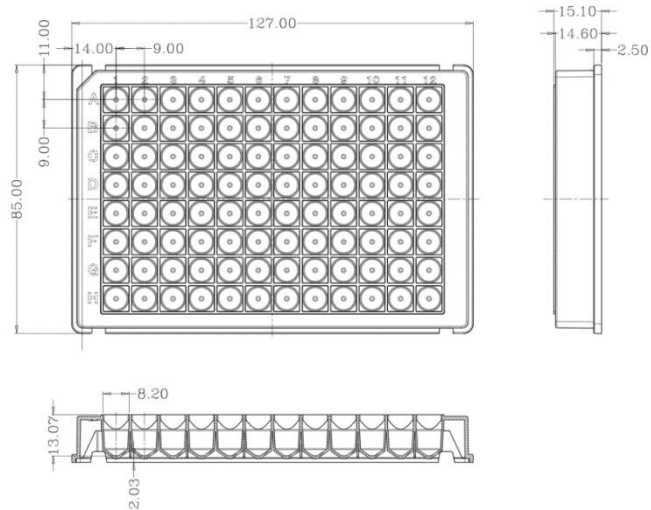
NEST USA (New Jersey/ Phoenix)  
 NEST scientific 株式会社 (Yokohama, Japan)  
 NEST Scientific Europe B.V (Netherlands)  
 Nest Scientific (MENA) FZE (Sharjah, United Arab Emirates)

503021



Cat.No.:500621/500021:

500021

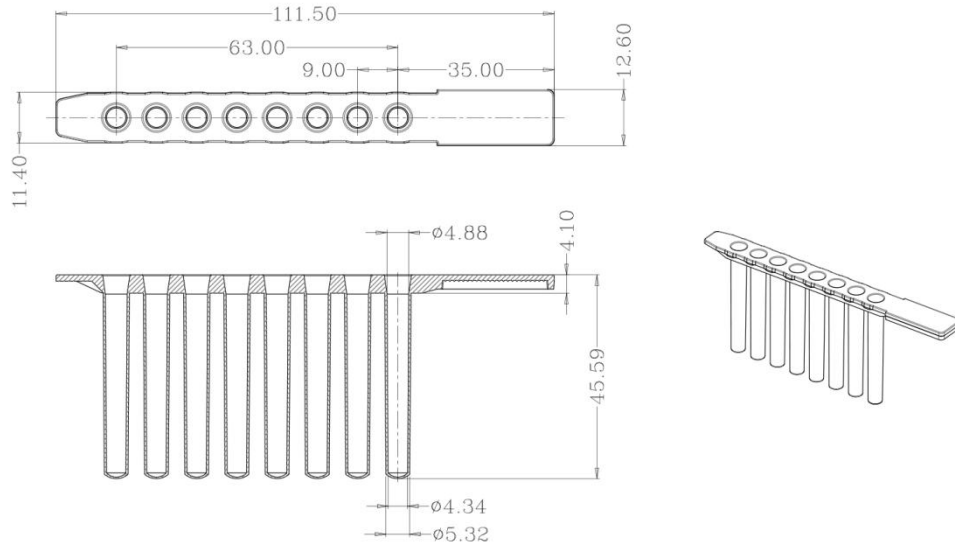


**Head Office**  
 No. 530, Xida Road, Meicun Industrial Park, Xinwu District, Wuxi,  
 Jiangsu, China  
 Tel: +86+ 510-6800 6788 Email: [info@nest-wuxi.com](mailto:info@nest-wuxi.com)  
 Online: [www.cell-nest.com](http://www.cell-nest.com)

**Oversea**  
 NEST USA (New Jersey/ Phoenix)  
 NEST scientific 株式会社 (Yokohama, Japan)  
 NEST Scientific Europe B.V (Netherlands)  
 Nest Scientific (MENA) FZE (Sharjah, United Arab  
 Emirates)

Cat.No.509211/509261:

509211



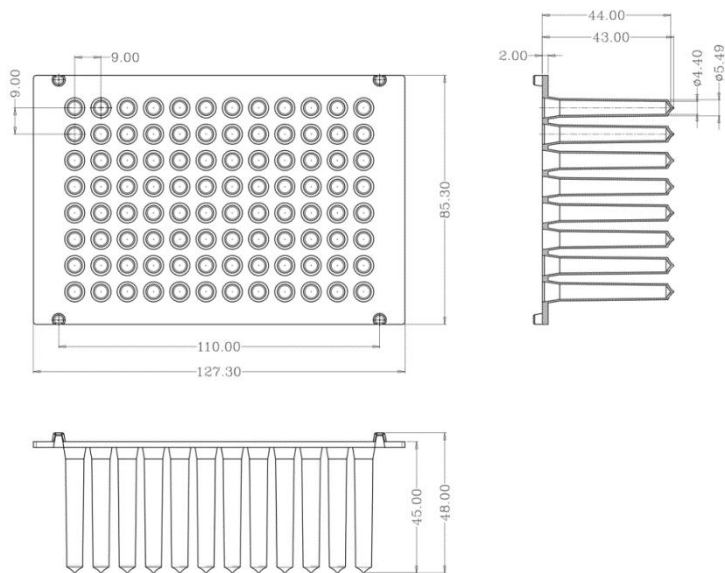
**Head Office**

No. 530, Xida Road, Meicun Industrial Park, Xinwu District, Wuxi, Jiangsu, China  
Tel: +86+ 510-6800 6788 Email: [info@nest-wuxi.com](mailto:info@nest-wuxi.com)  
Online: [www.cell-nest.com](http://www.cell-nest.com)

**Oversea**

NEST USA (New Jersey/ Phoenix)  
NEST scientific 株式会社 (Yokohama, Japan)  
NEST Scientific Europe B.V (Netherlands)  
Nest Scientific (MENA) FZE (Sharjah, United Arab Emirates)

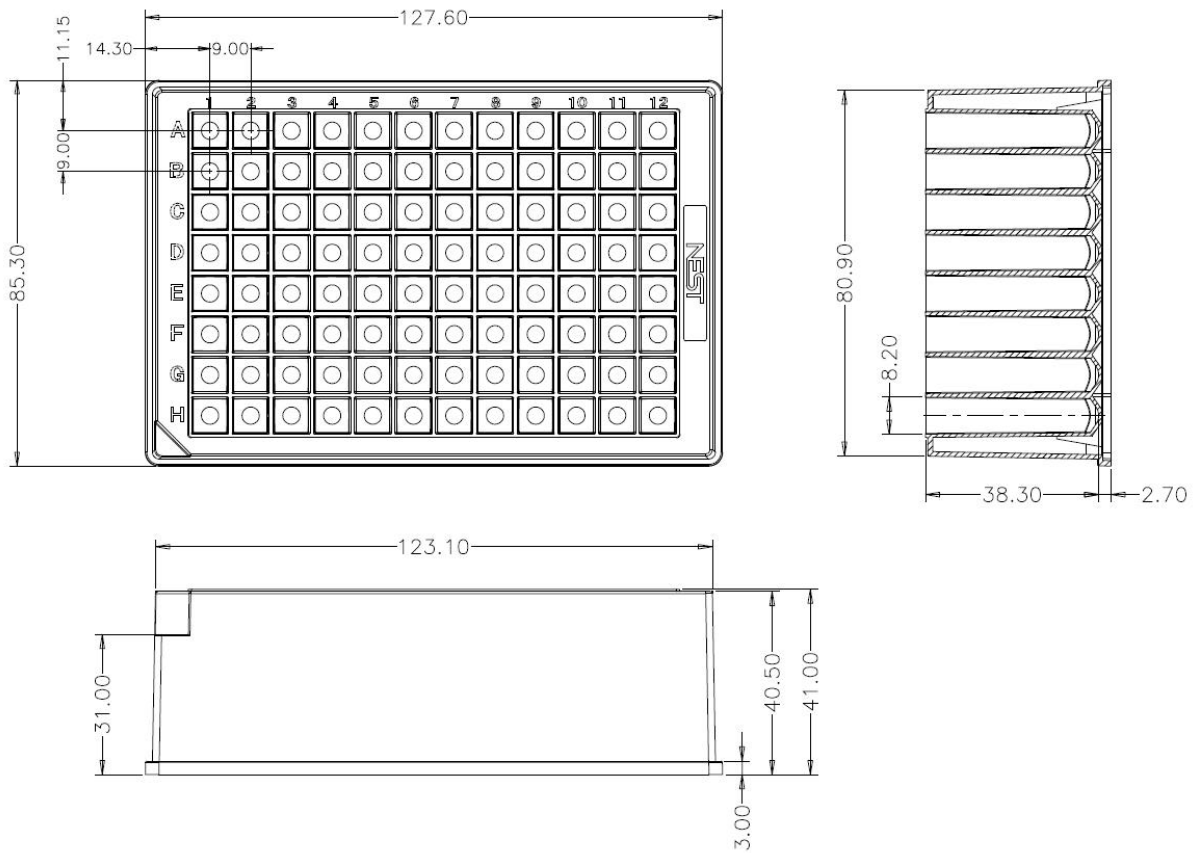
503311



Cat.No.503361/503311:

**Head Office** No. 530, Xida Road, Meicun Industrial Park, Xinwu District, Wuxi, Jiangsu, China  
Tel: +86+ 510-6800 6788 Email: [info@nest-wuxi.com](mailto:info@nest-wuxi.com)  
Online: [www.cell-nest.com](http://www.cell-nest.com)

**Oversea** NEST USA (New Jersey/ Phoenix)  
NEST scientific 株式会社 (Yokohama, Japan)  
NEST Scientific Europe B.V (Netherlands)  
Nest Scientific (MENA) FZE (Sharjah, United Arab Emirates)

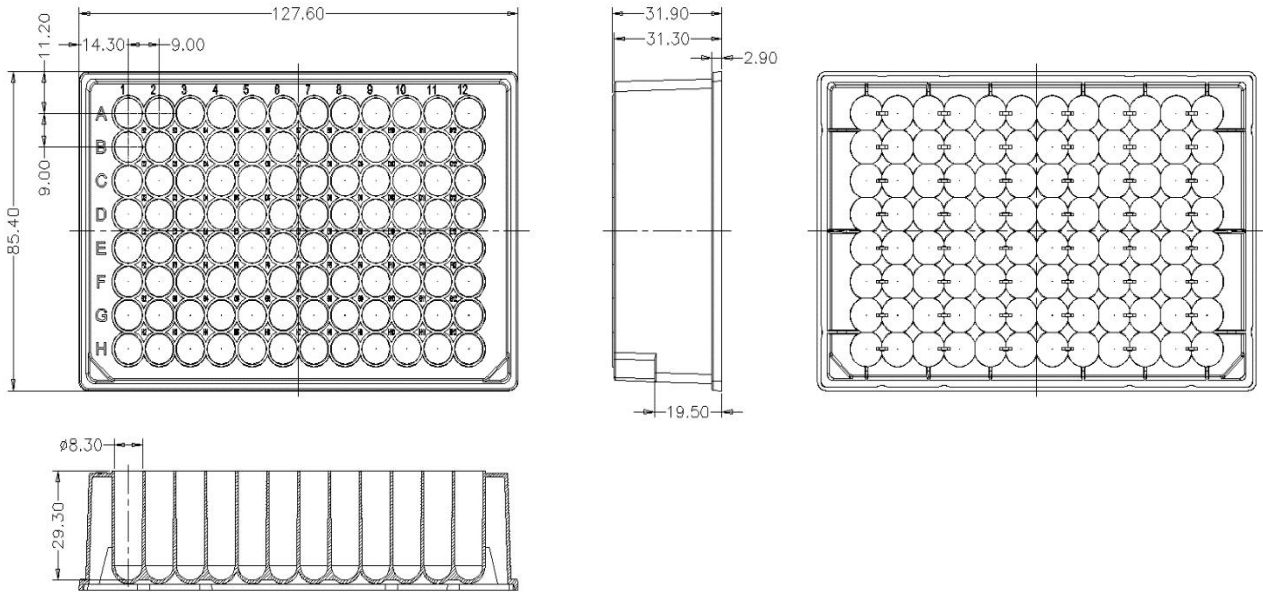


**Cat.No.503001 /503501:**

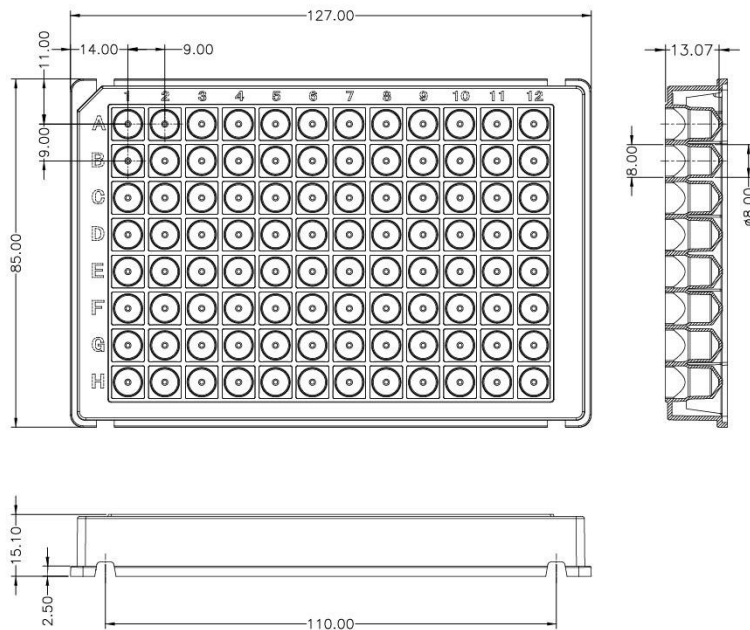
**Head Office** No. 530, Xida Road, Meicun Industrial Park, Xinwu District, Wuxi, Jiangsu, China  
 Tel: +86+ 510-6800 6788 Email: [info@nest-wuxi.com](mailto:info@nest-wuxi.com)  
 Online: [www.cell-nest.com](http://www.cell-nest.com)

**Oversea** NEST USA (New Jersey/ Phoenix)  
 NEST scientific 株式会社 (Yokohama, Japan)  
 NEST Scientific Europe B.V (Netherlands)  
 Nest Scientific (MENA) FZE (Sharjah, United Arab Emirates)

**Cat.No. 507001 /507101:**



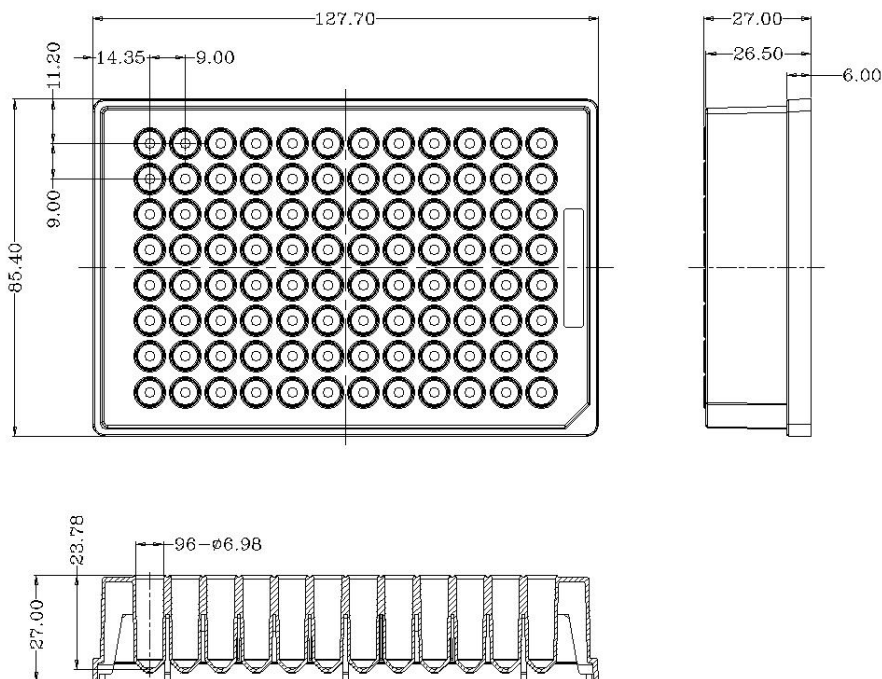
**0.5 mL 96-Deep Well Plate (500621/500021):**



**Head Office** No. 530, Xida Road, Meicun Industrial Park, Xinwu District, Wuxi, Jiangsu, China  
 Tel: +86+ 510-6800 6788 Email: [info@nest-wuxi.com](mailto:info@nest-wuxi.com)  
 Online: [www.cell-nest.com](http://www.cell-nest.com)

**Oversea** NEST USA (New Jersey/ Phoenix)  
 NEST scientific 株式会社 (Yokohama, Japan)  
 NEST Scientific Europe B.V (Netherlands)  
 Nest Scientific (MENA) FZE (Sharjah, United Arab Emirates)

0.5 mL 96-Well Deep Well Plate, V-Bottom (501601/501101):



Cat.No. 500101

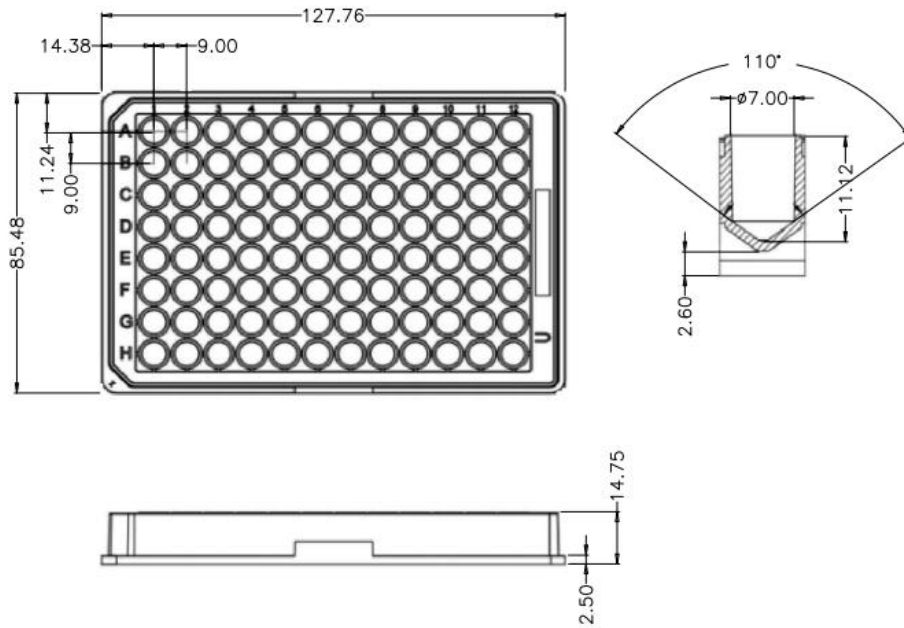
Head Office

No. 530, Xida Road, Meicun Industrial Park, Xinwu District, Wuxi, Jiangsu, China  
 Tel: +86+ 510-6800 6788 Email: [info@nest-wuxi.com](mailto:info@nest-wuxi.com)  
 Online: [www.cell-nest.com](http://www.cell-nest.com)

Oversea

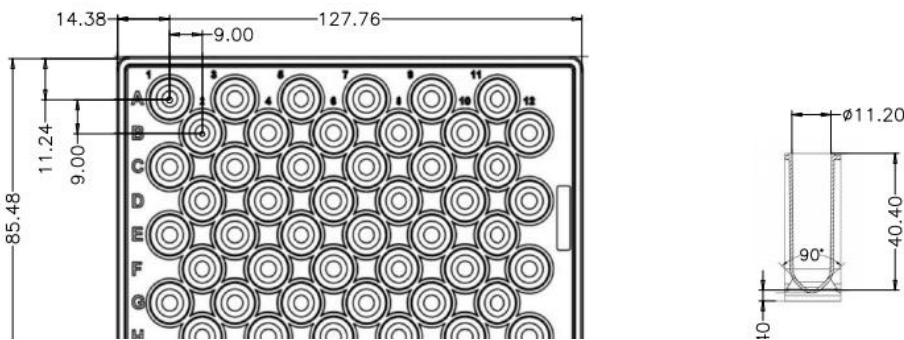
NEST USA (New Jersey/ Phoenix)  
 NEST scientific 株式会社 (Yokohama, Japan)  
 NEST Scientific Europe B.V (Netherlands)  
 Nest Scientific (MENA) FZE (Sharjah, United Arab Emirates)

500101



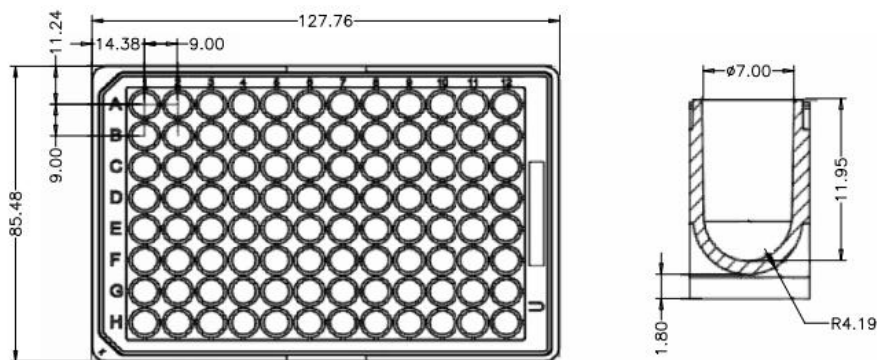
Cat.No. 504102

504102



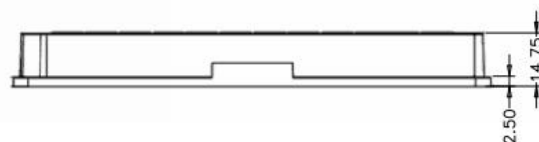
501102

Cat.No. 501102



Head Office

No. 5:  
Jiang:  
Tel: -  
Online

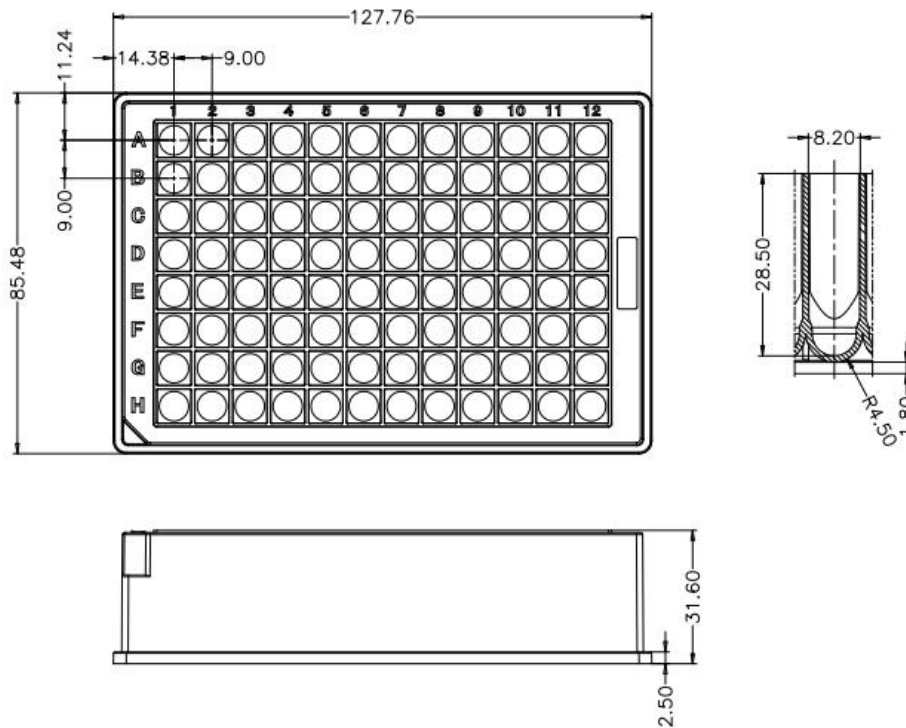


ia, Japan)  
lands)  
h, United Arab



Cat.No. 502002

502002



**Head Office**

No. 530, Xida Road, Meicun Industrial Park, Xinwu District, Wuxi, Jiangsu, China  
Tel: +86+ 510-6800 6788 Email: [info@nest-wuxi.com](mailto:info@nest-wuxi.com)  
Online: [www.cell-nest.com](http://www.cell-nest.com)

**Oversea**

NEST USA (New Jersey/ Phoenix)  
NEST scientific 株式会社 (Yokohama, Japan)  
NEST Scientific Europe B.V (Netherlands)  
Nest Scientific (MENA) FZE (Sharjah, United Arab Emirates)