

Product Name:	PET/PETG/PC Square Storage Bottles
Product Application:	<p>NEST's Square Reagent Bottle is an ideal option of storage and transportation container for culture medium, serum, buffer, intermediates and reagents for biopharmaceutical and biotechnology companies, reagent R&D institutions, etc.</p> <p>The three raw materials used in the bottles, PET, PETG and PC, meet USP Class VI USP<661> biocompatibility requirements and ISO 10993 quality systems.</p> <p>1.Storage or sampling of active pharmaceutical ingredients and bulk intermediates</p> <p>2.Experiments or storage of buffers, culture solutions, intermediates and supernatants, etc.</p> <p>3.Storage of specific PH-sensitive liquid.</p>
Product Materials:	<p>PET/PETG/PC Bottle + PP Cap</p> <p>Meets <i>USP, Class VI standards</i></p>
Product Specifications:	<p>Temperature range: stored at room temperature</p> <p>Shelf life: 3 Years after date of production (ensure package is in good)</p>
Sterilization:	<p>Yes.</p> <p>Sterilized by E-beam, Sterility Assurance Level: SAL=10⁻⁶. The product has been irradiated and dosimetrically released based on ANSI/AAMI/ISO 11137</p>
Pyrogens:	Non-Pyrogenic
RNase/DNase:	DNase/RNase free
BSE/TSE:	These products are deemed animal free.
Performance Test:	<p>Each manufacturing lot is sampled and tested in accordance with standard operating procedures.</p> <p>Appearance inspection: qualified Sealing performance test: qualified</p> <p>Freezing test: qualified Packaging inspection: qualified</p>
Features:	<ol style="list-style-type: none"> PET wall is light in weight and resistant to low temperature, while PETG wall is thick, durable, and resistant to fracture,PC Autoclavable. High chemical durability, suitable for the storage of high purity reagent, standard particle materials and samples. High transparency, strong mechanical strength and shock resistance, and convenient for observation and transportation. Highly tolerant of low temperature, UV rays, and resistant to fracture. Smooth inner surface can minimize the residue on the wall. Available in a variety of volumes:30/60/125/250/500/1000/2000/5000ml. Sterile, DNase/RNase/Pyrogen free.

Head Office No. 530, Xida Road, Meicun Industrial Park, Xinwu District, Wuxi, Jiangsu, China
 Tel: +86+ 510-6800 6788 Email: info@nest-wuxi.com
 Online: www.cell-nest.com

Overseas NEST USA (New Jersey/ Phoenix)
 NEST scientific 株式会社 (Yokohama,Japan)
 NEST Scientific Europe B.V (Netherlands)
 Nest Scientific (MENA) FZE (Sharjah, United Arab Emirates)

Precaution:

- 1.PET/PETG Unfit for autoclave.,Not a vessel to be heated.
- 2.PET/PETG Operating temperature range:-80℃—60℃(-40℃ will become brittle, -80℃ can be frozen, avoid bumping when removing).
- 3.PC Autoclavable, But some mechanical energy may be lost.
- 4.PC Operating temperature range:-80℃—121℃.

Product Range :

Double-bagged

Cat. No.	Product Description	Volume (mL)	/Pack	/Case
354111	30 mL PETG Square Storage Bottle, Sterile, Double Bag Package	30	5	40
354511	60 mL PETG Square Storage Bottle, Sterile, Double Bag Package	60	6	48
353511	125 mL PETG Square Storage Bottle, Sterile, Double Bag Package	125	6	48
352511	250 mL PETG Square Storage Bottle, Sterile, Double Bag Package	250	6	48
333511	500 mL PETG Square Storage Bottle, Sterile, Double Bag Package	500	8	24
334511	1000 mL PETG Square Storage Bottle, Sterile, Double Bag Package	1000	4	12
355114	2000 mL PETG Square Storage Bottle, Sterile, Double Bag Package	2000	6	12
354611	60 mL PET Square Storage Bottle, Sterile, Double Bag Package	60	6	48
353611	125 mL PET Square Storage Bottle, Sterile, Double Bag Package	125	6	48
352611	250 mL PET Square Storage Bottle, Sterile, Double Bag Package	250	6	48
333001	500 mL PET Square Storage Bottle, Sterile, Double Bag Package	500	8	24
334001	1000 mL PET Square Storage Bottle, Sterile, Double Bag Package	1000	4	12
354314	30 mL PC Square Storage Bottle, Sterile, Double Bag Package	30	5	40
354714	60 mL PC Square Storage Bottle, Sterile, Double Bag Package	60	6	48
353314	125 mL PC Square Storage Bottle, Sterile, Double Bag Package	125	6	48
352314	250 mL PC Square Storage Bottle, Sterile, Double Bag Package	250	6	48
333314	500 mL PC Square Storage Bottle, Sterile, Double Bag Package	500	8	24
334314	1000 mL PC Square Storage Bottle, Sterile, Double Bag Package	1000	4	12
355314	2000 mL PC Square Storage Bottle, Sterile, Double Bag Package	2000	6	12
355714	5000 mL PC Square Storage Bottle, Sterile, Double Bag Package	5000	1	6

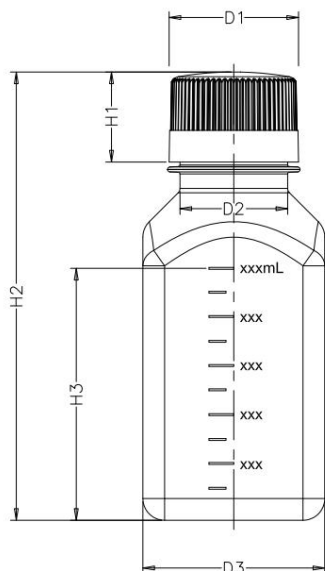
Double-bagged Large

Cat. No.	Product Description	Volume (mL)	/Pack	/Case
354614	60 mL PET Square Storage Bottle, Sterile, Double-layer Large Package	60	40	200
353614	125 mL PET Square Storage Bottle, Sterile, Double-layer Large Package	125	24	192
352614	250 mL PET Square Storage Bottle, Sterile, Double-layer Large Package	250	30	120
333004	500 mL PET Square Storage Bottle, Sterile, Double-layer Large Package	500	20	80
334004	1000 mL PET Square Storage Bottle, Sterile, Double-layer Large Package	1000	12	48

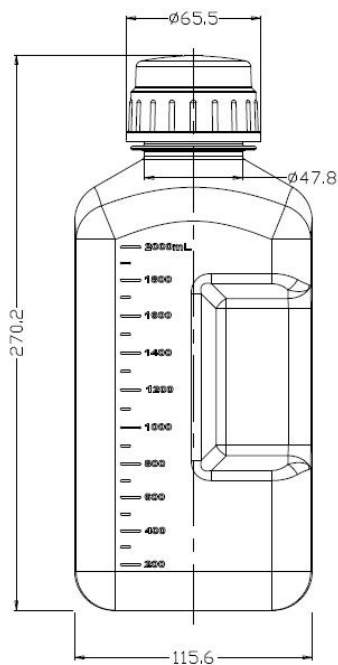
Tray-Packed

Cat. No.	Product Description	Volume (mL)	/Pack	/Case
354113	30 mL PETG Square Storage Bottle, Sterile, Tray-Packed	30	40	280
354513	60 mL PETG Square Storage Bottle, Sterile, Tray-Packed	60	40	200
353513	125 mL PETG Square Storage Bottle, Sterile, Tray-Packed	125	24	96
352513	250 mL PETG Square Storage Bottle, Sterile, Tray-Packed	250	30	60
333513	500 mL PETG Square Storage Bottle, Sterile, Tray-Packed	500	20	40
334513	1000 mL PETG Square Storage Bottle, Sterile, Tray-Packed	1000	12	24
354313	30 mL PC Square Storage Bottle, Sterile, Tray-Packed	30	40	280
354713	60 mL PC Square Storage Bottle, Sterile, Tray-Packed	60	40	200
353313	125 mL PC Square Storage Bottle, Sterile, Tray-Packed	125	24	96
352313	250 mL PC Square Storage Bottle, Sterile, Tray-Packed	250	30	60
333313	500 mL PC Square Storage Bottle, Sterile, Tray-Packed	500	20	40
334313	1000 mL PC Square Storage Bottle, Sterile, Tray-Packed	1000	12	24

Technical Drawing



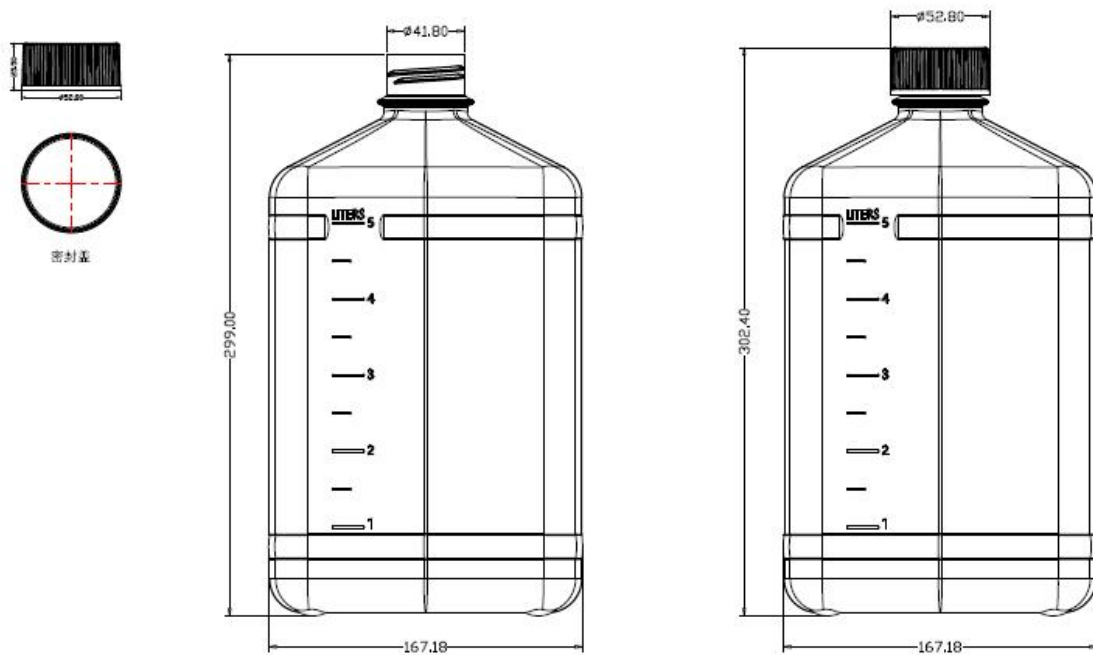
Standards	Size					
	D1	D2	D3	H1	H2	H3
30mL (PETG/PC)	24.08	17.60	38.00	15.39	63.07	25.10
60mL (PET/PETG/PC)	28.00	21.50	40.00	15.27	82.84	43.30
125mL (PET/PETG/PC)	41.70	34.70	52.40	28.98	106.31	53.20
250mL (PET/PETG/PC)	41.70	34.70	58.60	28.98	144.31	83.80
500mL (PET/PETG/PC)	41.70	34.70	73.00	28.98	177.31	106.80
1000mL (PET/PETG/PC)	41.70	34.70	92.00	28.98	218.31	132.90



2L

Head Office No. 530, Xida Road, Meicun Industrial Park, Xinwu District, Wuxi, Jiangsu, China
 Tel: +86+ 510-6800 6788 Email: info@nest-wuxi.com
 Online: www.cell-nest.com

Overseas NEST USA (New Jersey/ Phoenix)
 NEST scientific 株式会社 (Yokohama, Japan)
 NEST Scientific Europe B.V (Netherlands)
 Nest Scientific (MENA) FZE (Sharjah, United Arab Emirates)



5L

Head Office No. 530, Xida Road, Meicun Industrial Park, Xinwu District, Wuxi, Jiangsu, China
Tel: +86+ 510-6800 6788 Email: info@nest-wuxi.com
Online: www.cell-nest.com

Overseas NEST USA (New Jersey/ Phoenix)
NEST scientific 株式会社 (Yokohama, Japan)
NEST Scientific Europe B.V (Netherlands)
Nest Scientific (MENA) FZE (Sharjah, United Arab Emirates)