

<b>Product Name:</b>	<b>Petri Dish</b>	
<b>Product Application:</b>	Suitable for bacterial culture.	
<b>Product Materials:</b>	Polystyrene (PS)	
<b>product Specifications:</b>	Temperature range: stored at room temperature Shelf life: 5 Years after date of production ( ensure package is in good )	
<b>Sterilization:</b>	Yes.  Sterilized by E-beam, Sterility Assurance Level: SAL=10 <sup>-6</sup> . The product has been irradiated and dosimetrically released based on ANSI/AAMI/ISO 11137	
<b>Pyrogens:</b>	Non-Pyrogenic	
<b>BSE/TSE:</b>	These products are deemed animal free.	
<b>Performance Testing:</b>	Each manufacturing lot is sampled and tested in accordance with standard operating procedures.  Appearance inspection: pass <span style="float: right;">Packaging inspection: pass</span>	
<b>Features</b>	<ol style="list-style-type: none"> <li>1. High clarity polystyrene</li> <li>2. Flat transparent surface</li> <li>3. Numeric mark on the bottom for easy identification</li> <li>4. PA/PE packaging</li> <li>5. Vent for gas exchange</li> <li>6. Stackable for easy storage and handling</li> <li>7. Non-pyrogenic</li> <li>8. Sterilized by E-Beam, SAL=10<sup>-6</sup></li> </ol>	

Product Range

Cat. No.	Spec(mm)		Volume (mL)	/Pack	/Case
	Diameter	Height			
706011	35	12	5	20	500
754001	60	15	15	20	500
722011	65	15	/	20	500
752001(US: 753001)	90	15	40	20	500
752002 (Double Packaged)	90	15	40	20	500

**Head Office** No. 530, Xida Road, Meicun Industrial Park, Xinwu District, Wuxi, Jiangsu, China  
Tel: +86+ 510-6800 6788 Email: [info@nest-wuxi.com](mailto:info@nest-wuxi.com)  
Online: [www.cell-nest.com](http://www.cell-nest.com)

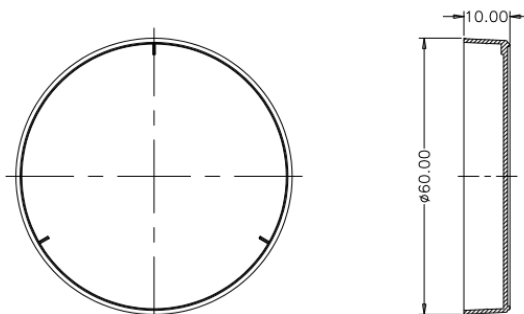
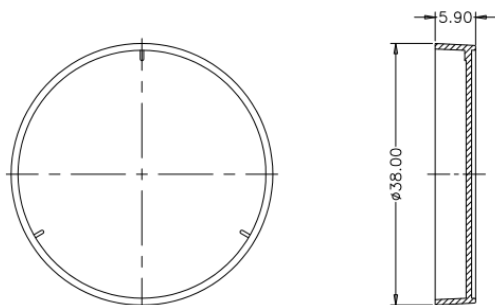
**Oversea** NEST USA (New Jersey/ Phoenix)  
NEST scientific 株式会社 (Yokohama, Japan)  
NEST Scientific Europe B.V (Netherlands)  
Nest Scientific (MENA) FZE (Sharjah, United Arab Emirates)

752003	90	15	40	5	500
752004	90	15	40	10	500
752011(US: 753011)	90	15	20 x 2 compartments	20	500
752021(US: 753021)	90	15	13 x 3 compartments	20	500
752031(US: 753031)	90	15	10 x 4 compartments	20	500
752401	100	20	40	20	300
715011	150	15	60	10	100
755001	150	25	/	5	100

Technical Drawing

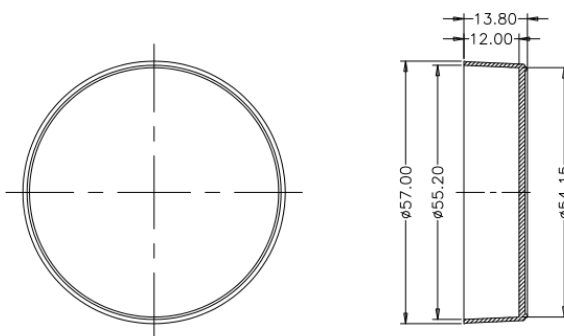
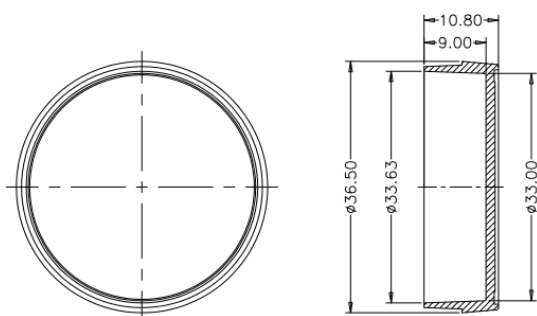
35mm Petri Dishes

60mm Petri Dishes



Cap

Cap

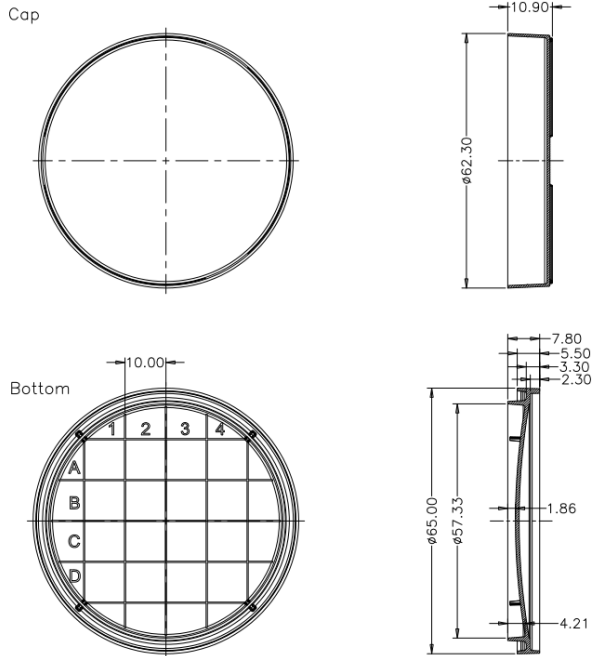


Bottom

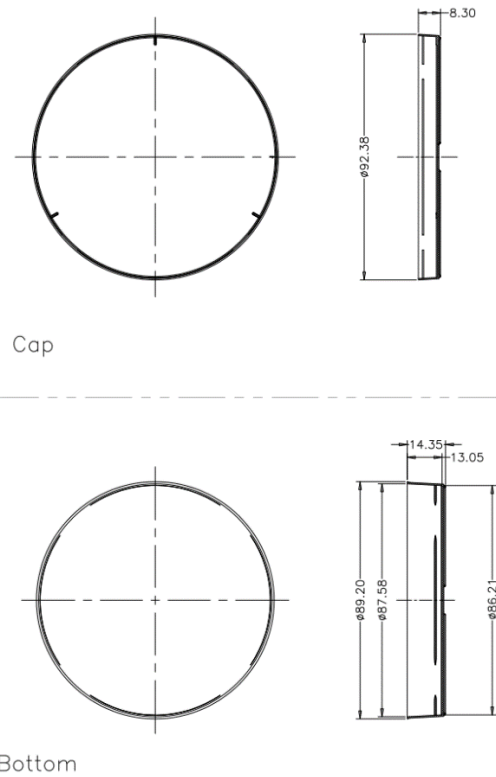
**Head Office** No. 530, Xida Road, Meicun Industrial Park, Xinwu District, Wuxi, Jiangsu, China  
 Tel: +86+ 510-6800 6788 Email: [info@nest-wuxi.com](mailto:info@nest-wuxi.com)  
 Online: [www.cell-nest.com](http://www.cell-nest.com)

**Oversea** NEST USA (New Jersey/ Phoenix)  
 NEST scientific 株式会社 (Yokohama, Japan)  
 NEST Scientific Europe B.V (Netherlands)  
 Nest Scientific (MENA) FZE (Sharjah, United Arab Emirates)

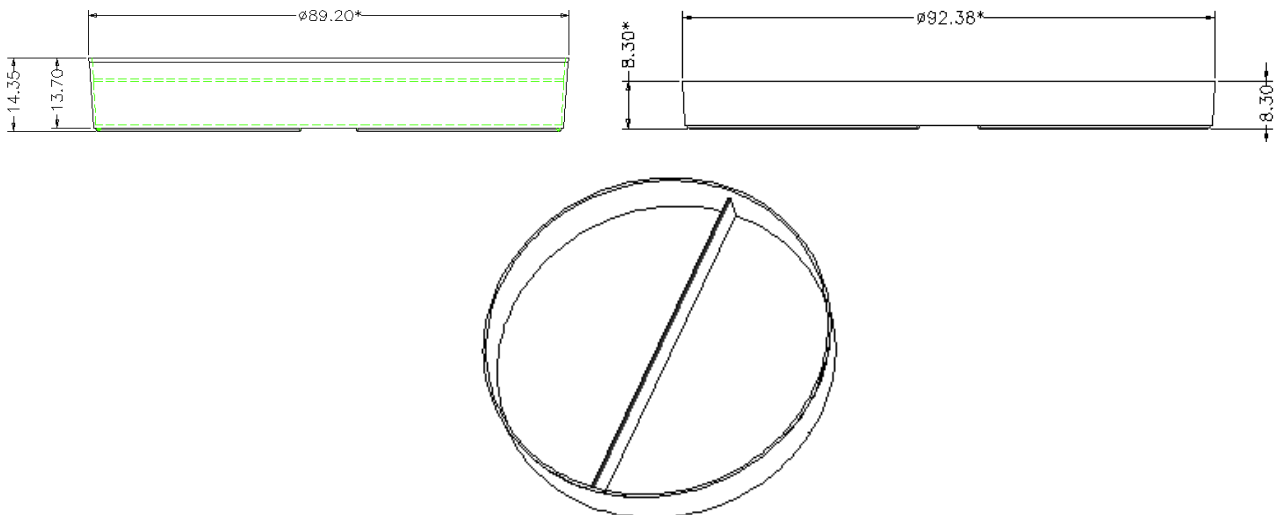
### 65mm Petri Dishes



### 90mm Petri Dishes



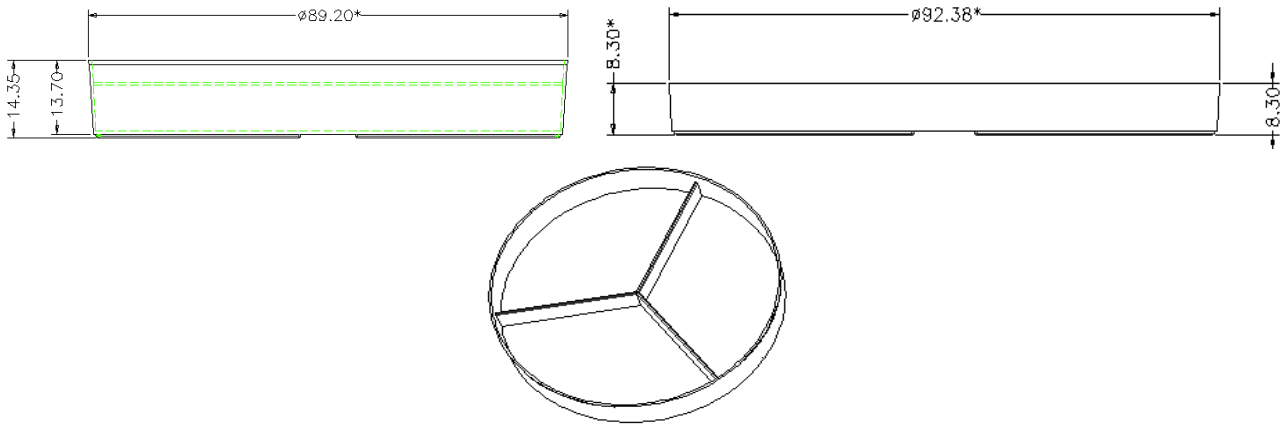
### 90mm Petri Dishes(2 compartments)



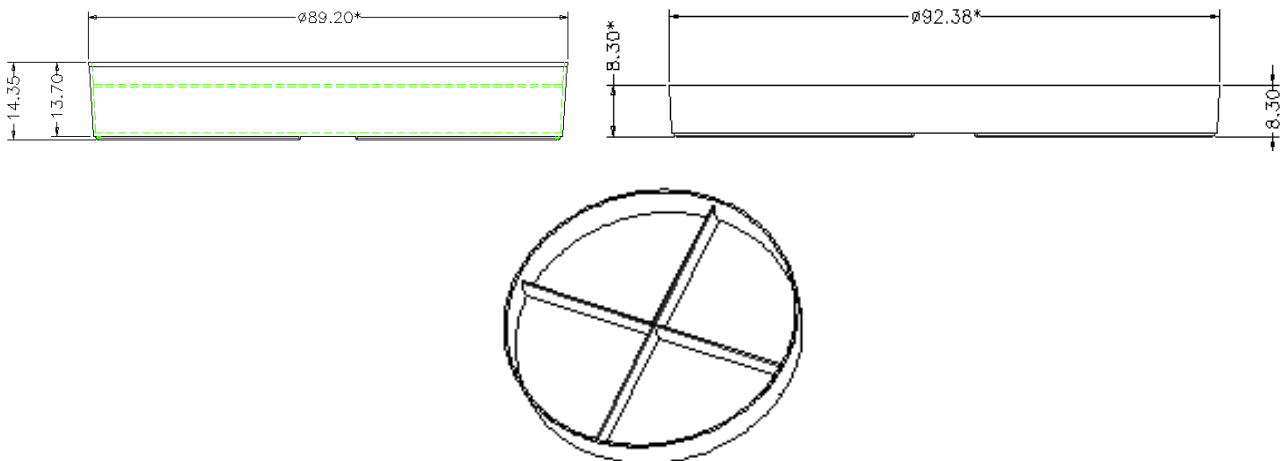
**Head Office** No. 530, Xida Road, Meicun Industrial Park, Xinwu District, Wuxi, Jiangsu, China  
 Tel: +86+ 510-6800 6788 Email: [info@nest-wuxi.com](mailto:info@nest-wuxi.com)  
 Online: [www.cell-nest.com](http://www.cell-nest.com)

**Oversea** NEST USA (New Jersey/ Phoenix)  
 NEST scientific 株式会社 (Yokohama, Japan)  
 NEST Scientific Europe B.V (Netherlands)  
 Nest Scientific (MENA) FZE (Sharjah, United Arab Emirates)

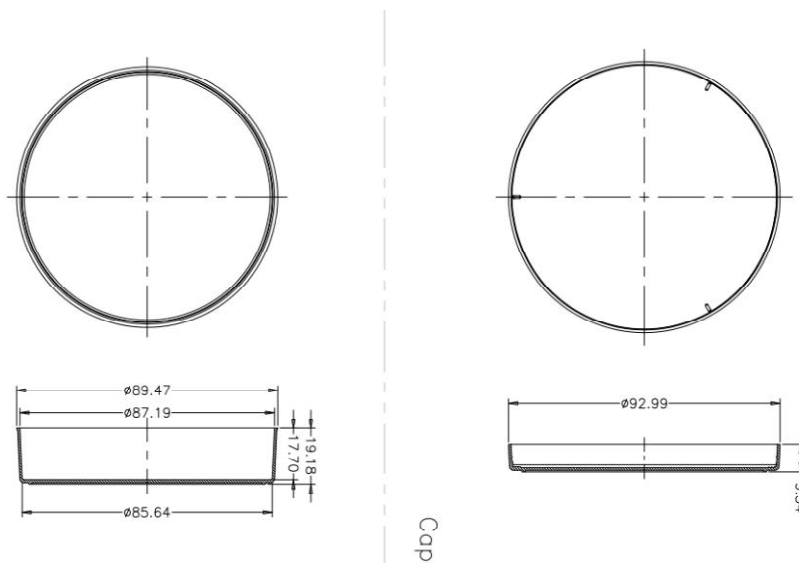
90mm Petri Dishes(3 compartments)



90mm Petri Dishes(4 compartments)



100mm Petri Dishes

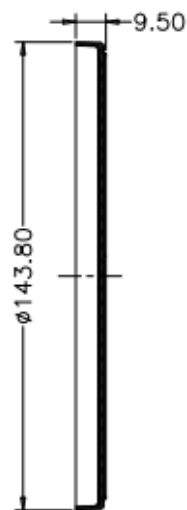
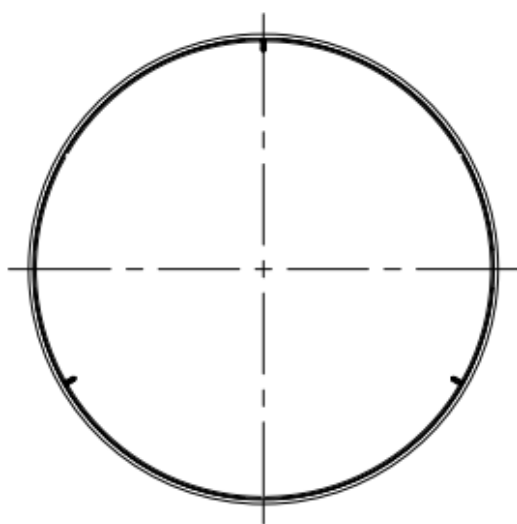


Head Office

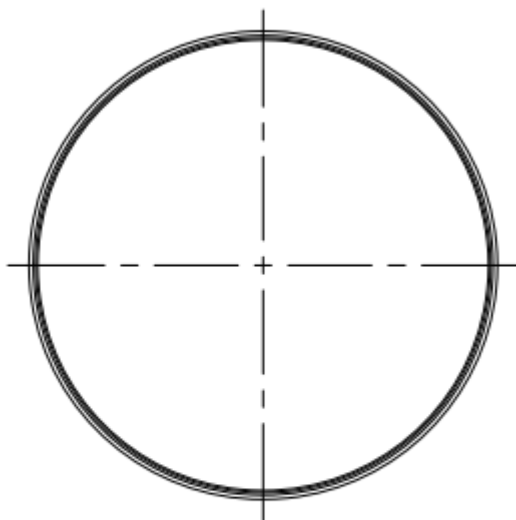
No. 530, X  
 Jiangsu, China  
 Tel: +86+ 510-6800 6788 Email: [info@nest-wuxi.com](mailto:info@nest-wuxi.com)  
 Online: [www.cell-nest.com](http://www.cell-nest.com)

nix)  
 NEST scientific 株式会社 (Yokohama, Japan)  
 NEST Scientific Europe B.V (Netherlands)  
 Nest Scientific (MENA) FZE (Sharjah, United Arab Emirates)

150mm Petri Dishes



Cap



Bottom

Head Office

No. 530, Xida Road, Meicun Industrial Park, Xinwu District, Wuxi, Jiangsu, China  
Tel: +86+ 510-6800 6788 Email: [info@nest-wuxi.com](mailto:info@nest-wuxi.com)  
Online: [www.cell-nest.com](http://www.cell-nest.com)

Oversea

NEST USA (New Jersey/ Phoenix)  
NEST scientific 株式会社 (Yokohama, Japan)  
NEST Scientific Europe B.V (Netherlands)  
Nest Scientific (MENA) FZE (Sharjah, United Arab Emirates)