

<b>Product Name:</b>	<b>PET/PETG Square Storage Bottles</b>
<b>Product Application:</b>	<p><b>NEST's Square Reagent Bottle is an ideal option of storage and transportation container for culture medium, serum, buffer, intermediates and reagents for biopharmaceutical and biotechnology companies, reagent R&amp;D institutions, etc.</b></p> <p><b>The two kinds of raw materials of the bottle, PET and PETG, are both in line with USP Class VI Class USP&lt;661&gt; biocompatibility requirements and ISO10993 Quality System.</b></p> <ol style="list-style-type: none"> <li><b>Storage or sampling of active pharmaceutical ingredients and bulk intermediates</b></li> <li><b>Experiments or storage of buffers, culture solutions, intermediates and supernatants, etc.</b></li> <li><b>Storage of specific PH-sensitive liquid.</b></li> </ol>
<b>Product Materials:</b>	<p><b>PET/PETG Bottle + PP Cap</b></p> <p><i>Meets USP, Class VI standards</i></p>
<b>product Specifications:</b>	<p>Temperature range: stored at room temperature</p> <p>Shelf life: 3 Years after date of production ( ensure package is in good )</p>
<b>Sterilization:</b>	<p><b>Yes.</b></p> <p>Sterilized by E-beam, Sterility Assurance Level: SAL=10<sup>-6</sup>. The product has been irradiated and dosimetrically released based on ANSI/AAMI/ISO 11137</p>
<b>Pyrogens:</b>	Non-Pyrogenic
<b>RNase/DNase:</b>	DNase/RNase free
<b>BSE/TSE:</b>	These products are deemed animal free.
<b>Performance Testing:</b>	<p>Each manufacturing lot is sampled and tested in accordance with standard operating procedures.</p> <p>Appearance inspection: qualified                      Seal test: qualified</p> <p>Freeze testing: qualified                                      Packaging inspection: qualified</p>
<b>Features</b>	<ol style="list-style-type: none"> <li>PET wall is light in weight and resistant to low temperature, while PETG wall is thick, durable, and resistant to fracture.</li> <li>High chemical durability, suitable for the storage of high purity reagent, standard particle materials and samples.</li> <li>High transparency, strong mechanical strength and shock resistance, and convenient for observation and transportation.</li> <li>Highly tolerant of low temperature, UV rays, and resistant to fracture.</li> <li>Smooth inner surface can minimize the residue on the wall.</li> <li>Available in a variety of volumes:30/60/125/250/500/1000ml.</li> </ol>

**Head Office** No. 530, Xida Road, Meicun Industrial Park, Xinwu District, Wuxi, Jiangsu, China  
 Tel: +86+ 510-6800 6788      Email: [info@nest-wuxi.com](mailto:info@nest-wuxi.com)  
 Online: [www.cell-nest.com](http://www.cell-nest.com)

**Overseas** NEST USA (New Jersey/ Phoenix)  
 NEST scientific 株式会社 (Yokohama, Japan)  
 NEST Scientific Europe B.V (Netherlands)  
 Nest Scientific (MENA) FZE (Sharjah, United Arab Emirates)

	7. Sterile, DNase/RNase/Pyrogen free.
<b>Precaution</b>	<b>Unfit for autoclave.</b> <b>Not a vessel to be heated.</b>

## Product Range

Cat. No.	Product Description	Volume (mL)	/Pack	/Case
354111	30 mL PETG Square Storage Bottle, Sterile	30	5	40
354511	60 mL PETG Square Storage Bottle, Sterile	60	6	48
353511	125 mL PETG Square Storage Bottle, Sterile	125	6	48
352511	250 mL PETG Square Storage Bottle, Sterile	250	6	48
333511	500 mL PETG Square Storage Bottle, Sterile	500	8	24
334511	1000 mL PETG Square Storage Bottle, Sterile	1000	4	12
354611	60 mL PET Square Storage Bottle, Sterile	60	6	48
353611	125 mL PET Square Storage Bottle, Sterile	125	6	48
352611	250 mL PET Square Storage Bottle, Sterile	250	6	48
333001	500 mL PET Square Storage Bottle, Sterile	500	8	24
334001	1000 mL PET Square Storage Bottle, Sterile	1000	4	12

## Product picture:

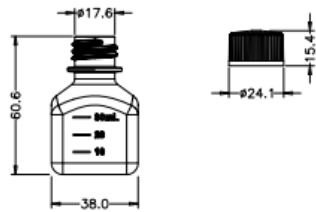


**Head Office** No. 530, Xida Road, Meicun Industrial Park, Xinwu District, Wuxi, Jiangsu, China  
 Tel: +86+ 510-6800 6788 Email: [info@nest-wuxi.com](mailto:info@nest-wuxi.com)  
 Online: [www.cell-nest.com](http://www.cell-nest.com)

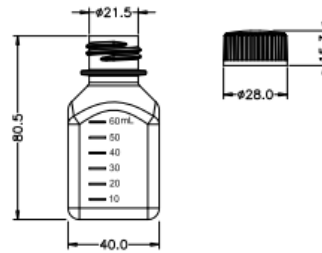
**Overseas** NEST USA (New Jersey/ Phoenix)  
 NEST scientific 株式会社 (Yokohama, Japan)  
 NEST Scientific Europe B.V (Netherlands)  
 Nest Scientific (MENA) FZE (Sharjah, United Arab Emirates)

## Technical Drawing

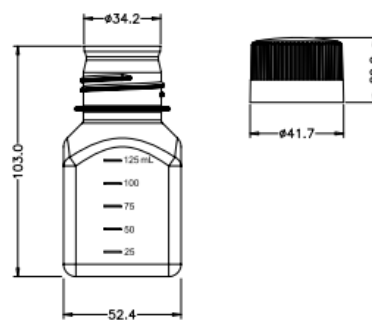
30ml



60ml

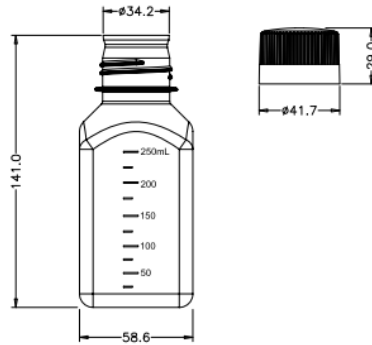


125ml

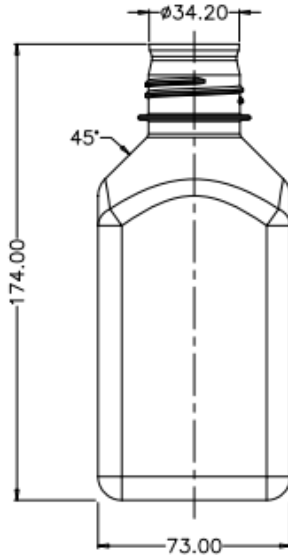


**Head Office** No. 530, Xida Road, Meicun Industrial Park, Xinwu District, Wuxi, Jiangsu, China  
Tel: +86+ 510-6800 6788 Email: [info@nest-wuxi.com](mailto:info@nest-wuxi.com)  
Online: [www.cell-nest.com](http://www.cell-nest.com)

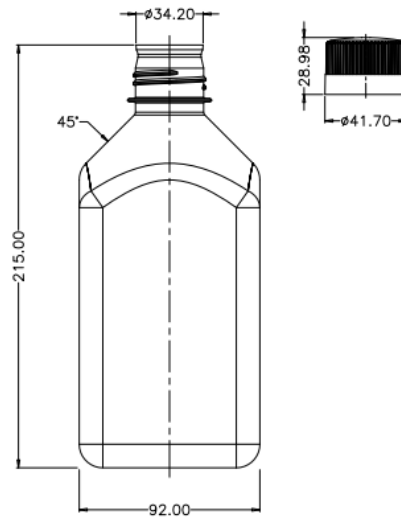
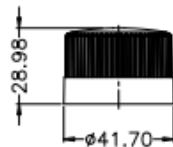
**Overseas** NEST USA (New Jersey/ Phoenix)  
NEST scientific 株式会社 (Yokohama, Japan)  
NEST Scientific Europe B.V (Netherlands)  
Nest Scientific (MENA) FZE (Sharjah, United Arab Emirates)



250ml



500ml



1000ml

**Head Office** No. 530, Xida Road, Meicun Industrial Park, Xinwu District, Wuxi, Jiangsu, China  
 Tel: +86+ 510-6800 6788 Email: [info@nest-wuxi.com](mailto:info@nest-wuxi.com)  
 Online: [www.cell-nest.com](http://www.cell-nest.com)

**Overseas** NEST USA (New Jersey/ Phoenix)  
 NEST scientific 株式会社 (Yokohama, Japan)  
 NEST Scientific Europe B.V (Netherlands)  
 Nest Scientific (MENA) FZE (Sharjah, United Arab Emirates)