

Product Name:	Vacuum Filtration Systems		
Product Application:	NEST Disposable Vacuum Filtration System is useful for large volume sample separation and sterilization for tissue culture media and other biological buffers by using a vacuum pump to provide differential pressure for the filtration.		
Product Materials:	Polystyrene (cap & top & receiving bottles) + Acrylonitrile-Butadiene-Styrene(neck) Meets USP, Class VI standards		
product Specifications:	Temperature range: stored at room temperature Shelf life: 3 Years after date of production (ensure package is in good)		
Sterilization:	Yes. Sterilized by E-beam, Sterility Assurance Level: SAL=10 ⁻⁶ . The product has been irradiated and dosimetrically released based on ANSI/AAMI/ISO 11137		
Pyrogens:	Non-Pyrogenic		
RNase/DNase:	DNase/RNase free		
BSE/TSE:	These products are deemed animal free.		
Performance Testing:	Each manufacturing lot is sampled and tested in accordance with standard operating procedures. Appearance inspection: qualified Assembly inspection: qualified Film welding seal test: qualified Packaging inspection: qualified		
Features	<ol style="list-style-type: none"> High flow rates and flux. Samples can be processed up to several liters at once. filtered samples can be stored directly in sterile collection bottles. Low protein binding and low chemical extractable. Withstand temperature range: Max. Temp 45°C There are four filter membranes and three pore sizes, which can be selected according to the filtration purpose. Available in different volumes: 50mL/ 150mL/ 250mL / 500mL / 1000mL. They are available in three styles: complete filter/storage bottle systems, bottle top filters, and receiving bottles only. Non-Pyrogenic, DNase/RNase free. Sterilized by E-beam, SAL=10⁻⁶. Individually packaged in sterile bag. 		

Application Directions and Types

Membrane Type	Hydrophilicity	Features	Application directions	Cautions
PES	Hydrophilic	Low protein adsorption, high flow rate, wide PH range, high chemical compatibility, good heat resistance	For general culture media and aqueous solutions, polar or middle-polar solvents, neutral aqueous solutions	Should not be used for chloroform, esters, amides and strong acids or strong bases.
PVDF	Hydrophilic	Wide practicability, good oxidation resistance and heat resistance	May be used for aqueous solutions and most solvents, including strong non-polar solvents. Ideal for preparations of HPLC and GC	Should not be used for strong acids and bases

Head Office No. 530, Xida Road, Meicun Industrial Park, Xinwu District, Wuxi, Jiangsu, China
Tel: +86+ 510-6800 6788 Email: info@nest-wuxi.com
Online: www.cell-nest.com

Oversea NEST USA (New Jersey/ Phoenix)
NEST scientific 株式会社 (Yokohama, Japan)
NEST Scientific Europe B.V (Netherlands)
Nest Scientific (MENA) FZE (Sharjah, United Arab Emirates)

MCE	Hydrophilic	Strong chemical compatibility and low protein adsorption, the optimum pH range is 3-6;	Used for particle analysis of general culture media and aqueous solutions. HPLC sample preparation.	The set should not be used for filtration of ethanol and alkaline solutions. The working temperature should not be over 40°C.
CA	Hydrophilic	High flow rate and heat stability as well as very low adsorption, stable within the range of pH 4-8.	It may resist most alcohols and oils, and is suitable for sterile filtration of aqueous solutions, buffers, serum and culture media, as well as filtration of the moving phase of HPLC/D.	The CA membrane may accommodate a smaller volume of buffer since it has low hydrophilia.

Product Range

Vacuum Filtration System

CA Membrane Cat.No.	PES Membrane Cat.No.	PVDF Membrane Cat.No.	MCE Membrane Cat.No.	Volume (mL)	Pore Density (µm)	/Pack	/Case
347302	347002	347102	347202	50	0.10	1	12
347301	347001	347101	347201	50	0.22	1	12
347303	347003	347103	347203	50	0.45	1	12
346302	346002	346102	346202	150	0.10	1	12
346301	346001	346101	346201	150	0.22	1	12
346303	346003	346103	346203	150	0.45	1	12
342303	342003	342103	342203	250	0.45	1	12
342302	342002	342102	342202	250	0.10	1	12
342301	342001	342101	342201	250	0.22	1	12
343303	343003	343103	343203	500	0.45	1	12
343302	343002	343102	343202	500	0.10	1	12
343301	343001	343101	343201	500	0.22	1	12
344303	344003	344103	344203	1000	0.45	1	12
344302	344002	344102	344202	1000	0.10	1	12
344301	344001	344101	344201	1000	0.22	1	12

Bottle Top Vacuum Filter Only

CA Membrane Cat.No.	PES Membrane Cat.No.	PVDF Membrane Cat.No.	MCE Membrane Cat.No.	Volume (mL)	Pore Density (µm)	/Pack	/Case
347312	347012	347112	347212	50	0.10	1	24
347311	347011	347111	347211	50	0.20	1	24
347313	347013	347113	347213	50	0.45	1	24
346312	346012	346112	346212	150	0.10	1	24

Head Office No. 530, Xida Road, Meicun Industrial Park, Xinwu District, Wuxi, Jiangsu, China
 Tel: +86+ 510-6800 6788 Email: info@nest-wuxi.com
 Online: www.cell-nest.com

Oversea NEST USA (New Jersey/ Phoenix)
 NEST scientific 株式会社 (Yokohama, Japan)
 NEST Scientific Europe B.V (Netherlands)
 Nest Scientific (MENA) FZE (Sharjah, United Arab Emirates)

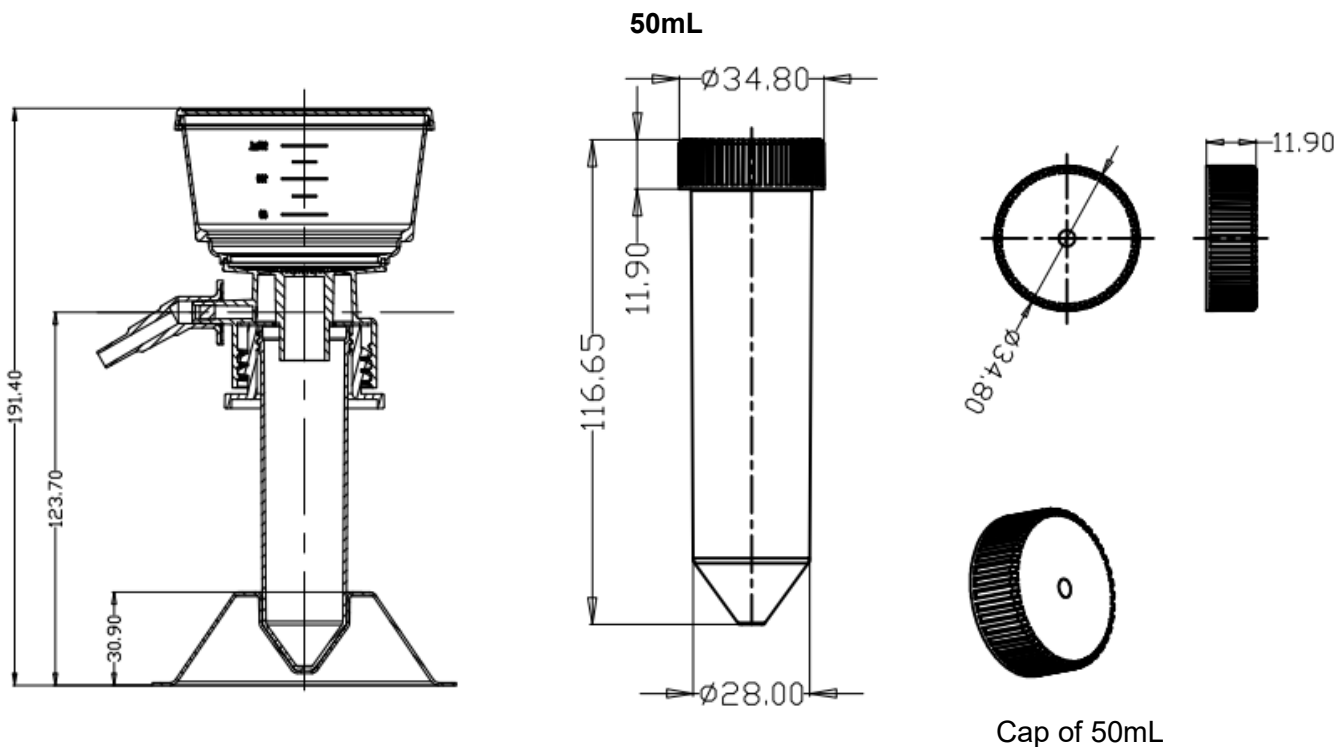
ISO9001 & ISO13485 & ISO11137

346311	346011	346111	346211	150	0.22	1	24
346313	346013	346113	346213	150	0.45	1	24
	342011	342111		250	0.22	1	24
	343011	343111		500	0.22	1	24
	344011	344111		1000	0.22	1	24

Receiving Bottles

Cat.No.	Volume (mL)	/Pack	/Case
346021	150	1	24
342021	250	1	24
343021	500	1	24
344021	1000	1	12

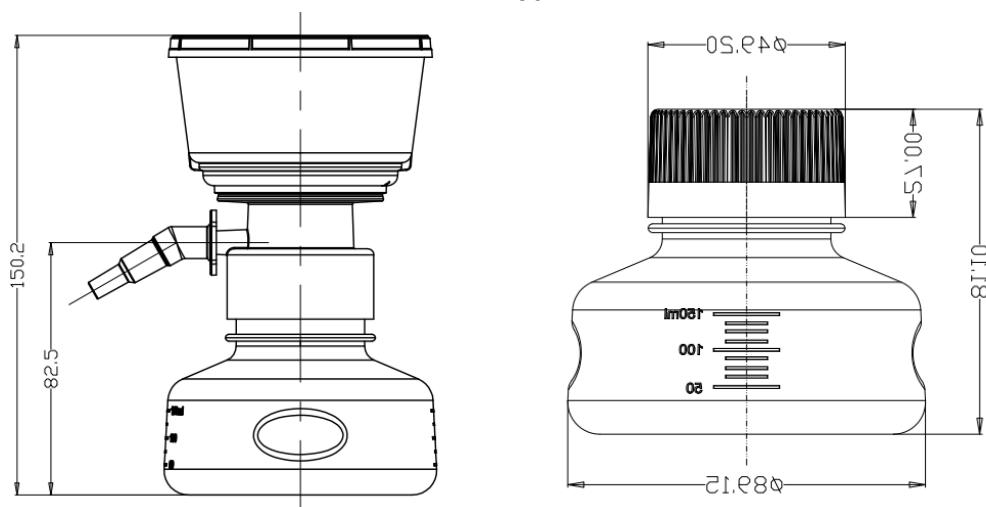
Technical Drawing



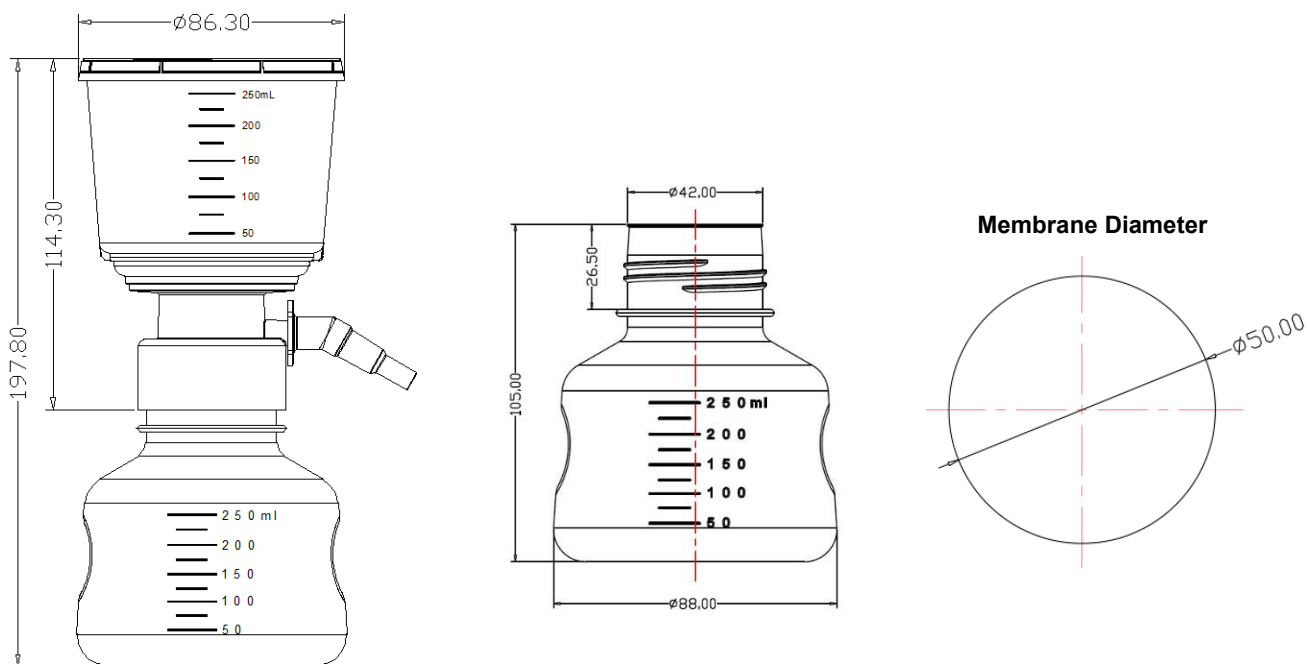
Head Office No. 530, Xida Road, Meicun Industrial Park, Xinwu District, Wuxi, Jiangsu, China
 Tel: +86+ 510-6800 6788 Email: info@nest-wuxi.com
 Online: www.cell-nest.com

Oversea NEST USA (New Jersey/ Phoenix)
 NEST scientific 株式会社 (Yokohama, Japan)
 NEST Scientific Europe B.V (Netherlands)
 Nest Scientific (MENA) FZE (Sharjah, United Arab Emirates)

150mL



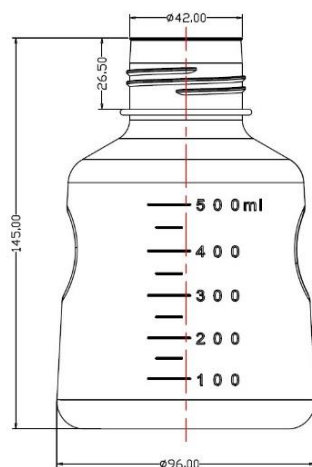
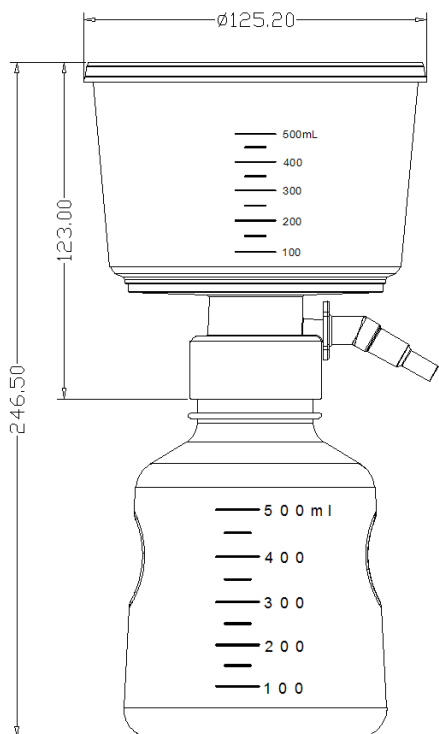
250mL



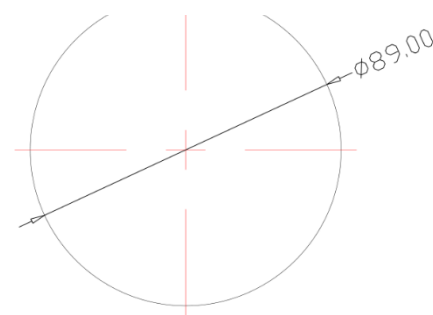
Head Office No. 530, Xida Road, Meicun Industrial Park, Xinwu District, Wuxi, Jiangsu, China
 Tel: +86+ 510-6800 6788 Email: info@nest-wuxi.com
 Online: www.cell-nest.com

Oversea NEST USA (New Jersey/ Phoenix)
 NEST scientific 株式会社 (Yokohama, Japan)
 NEST Scientific Europe B.V (Netherlands)
 Nest Scientific (MENA) FZE (Sharjah, United Arab Emirates)

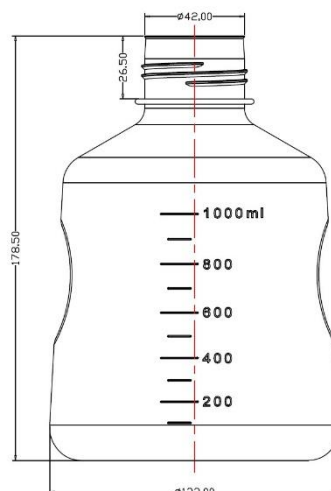
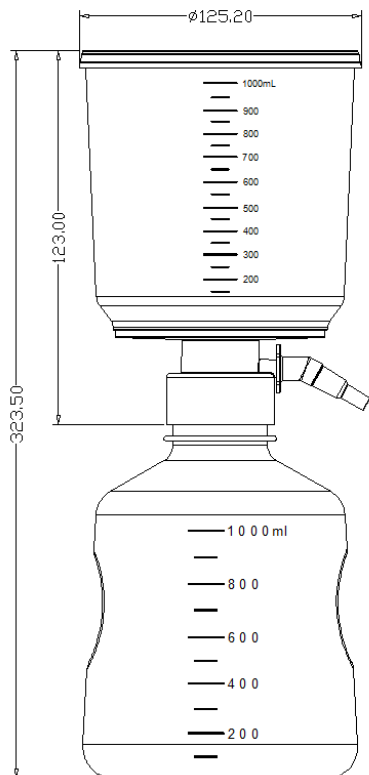
500mL



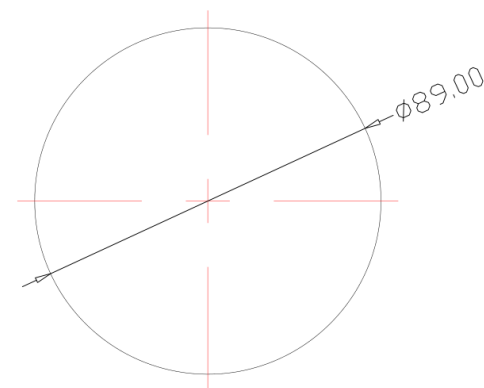
Membrane Diameter



1000mL

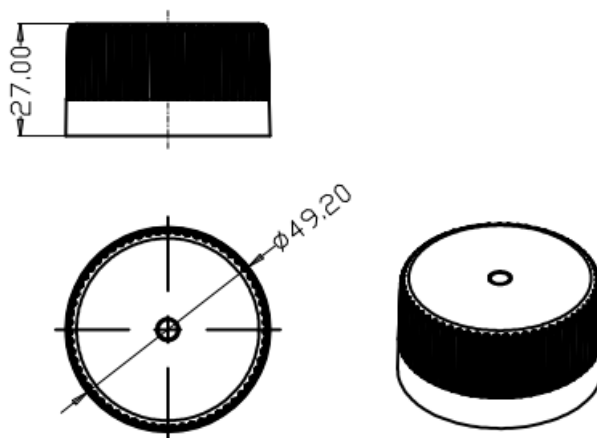


Membrane Diameter



Head Office No. 530, Xida Road, Meicun Industrial Park, Xinwu District, Wuxi, Jiangsu, China
 Tel: +86+ 510-6800 6788 Email: info@nest-wuxi.com
 Online: www.cell-nest.com

Oversea NEST USA (New Jersey/ Phoenix)
 NEST scientific 株式会社 (Yokohama, Japan)
 NEST Scientific Europe B.V (Netherlands)
 Nest Scientific (MENA) FZE (Sharjah, United Arab Emirates)



Cap of 150mL-1000mL

Head Office No. 530, Xida Road, Meicun Industrial Park, Xinwu District, Wuxi, Jiangsu, China
Tel: +86+ 510-6800 6788 Email: info@nest-wuxi.com
Online: www.cell-nest.com

Oversea NEST USA (New Jersey/ Phoenix)
NEST scientific 株式会社 (Yokohama, Japan)
NEST Scientific Europe B.V (Netherlands)
Nest Scientific (MENA) FZE (Sharjah, United Arab Emirates)