

Product Name:	Carboy
Product Description:	The barrel, the tap and the screw cap of the carboy are made from polypropylene (PP) and the gasket is made from thermoplastic elastomer(TPE), all of which are autoclavable for sterilization before use to prevent the growth of bacteria and other microorganisms. It is mainly used for storing and dispensing solutions, culture medium, also ideal for sterile water. The barrel is moulded with a 1-gallon or 5 liter scale markings for easy identification of liquid levels during operation. The sealing performance is secured by the TPE gasket and the thread on the finish, which is well matched to the cap.
Application:	Storage container for raw pharmaceutical materials or culture media that require autoclaving sterilization Storage container for bulk raw pharmaceutical materials or other substances Storage container for sterile water

Specifications

Cat.NO.	Name	Sterilization	Package
789001	10 L Carboy, Autoclavable, with Handle, with Tap	NO	4 个/case
789101	20 L Carboy, Autoclavable, with Handle, with Tap	NO	3 个/case

产品图



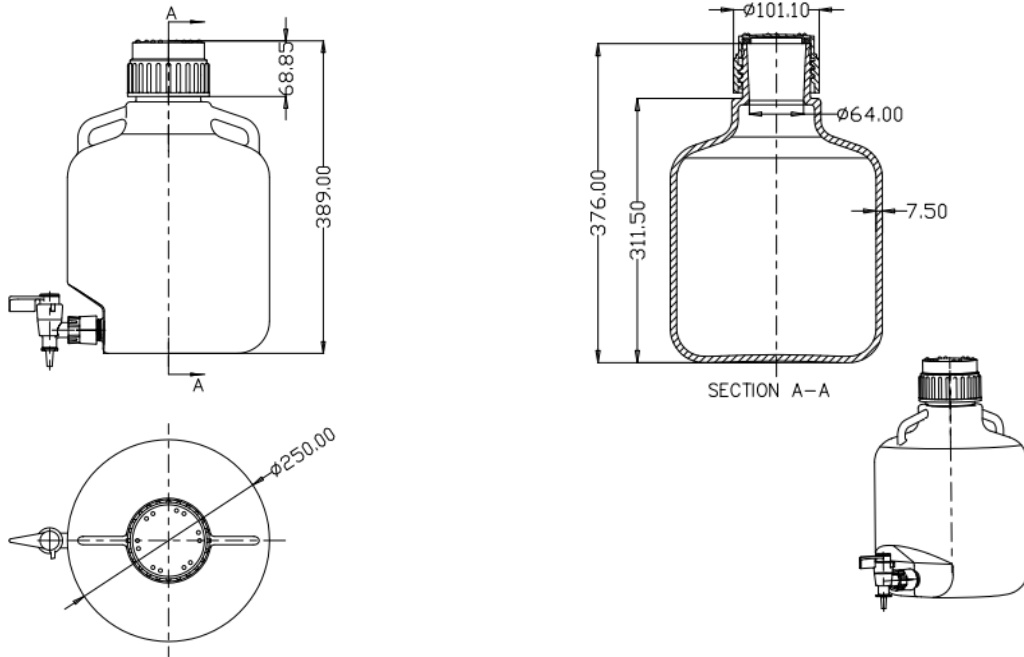
总部

地址: 无锡市新吴区梅村工业园锡达路 530 号
 电话: +86+ 510-6800 6788 邮箱: info@nest-wuxi.com
 网址: www.cell-nest.com

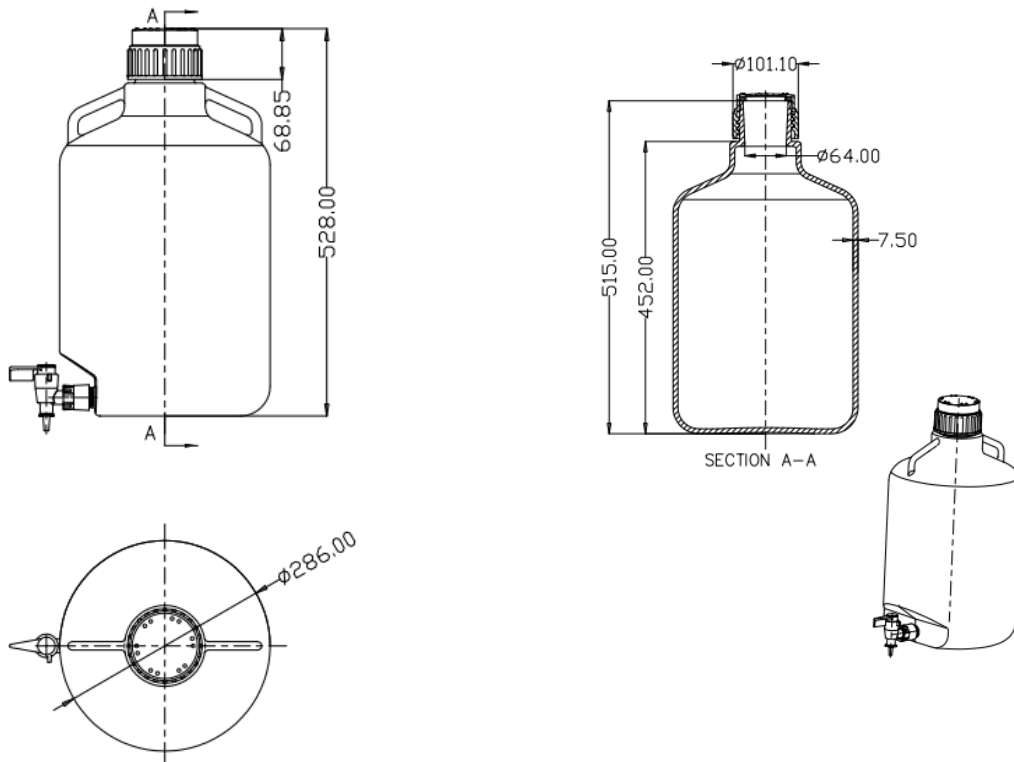
Overseas

NEST USA (New Jersey/ Phoenix)
 NEST scientific 株式会社 (Yokohama, Japan)
 NEST Scientific Europe B.V (Netherlands)
 Nest Scientific (MENA) FZE (Sharjah, United Arab Emirates)

Technical Drawing



10 L Carboy, Autoclavable, with Handle, with Tap



20 L Carboy, Autoclavable, with Handle, with Tap

总部

地址: 无锡市新吴区梅村工业园锡达路 530 号
 电话: +86+ 510-6800 6788 邮箱: info@nest-wuxi.com
 网址: www.cell-nest.com

Overseas

NEST USA (New Jersey/ Phoenix)
 NEST scientific 株式会社 (Yokohama, Japan)
 NEST Scientific Europe B.V (Netherlands)
 Nest Scientific (MENA) FZE (Sharjah, United Arab Emirates)