

Product Name:	PCR 8-Strip Tubes Caps	
Product Application:	Compatible with both NEST PCR 8-strip tube and PCR plate.	
Product Materials:	Imported special PP	
product Specifications:	Temperature range: stored at room temperature Shelf life: 5 years after date of production (ensure package is in good)	
Sterilization:	Yes (some of all catalog numbers). Sterilized by E-beam, Sterility Assurance Level: SAL=10 ⁻⁶ . The product has been irradiated and dosimetrically released based on ANSI/AAMI/ISO 11137	
Pyrogens:	Non-Pyrogenic	
RNase/DNase:	DNase/RNase free	
BSE/TSE:	These products are deemed animal free.	
Performance Testing:	Each manufacturing lot is sampled and tested in accordance with standard operating procedures. Appearance inspection: qualified Vacuum Seal test: qualified Freeze test: qualified Evaporation rate test: qualified Autoclave test : qualified Centrifugation test: qualified Packaging inspection: qualified	
Features	<ol style="list-style-type: none"> Made from USP grade VI polypropylene. Compatible with both NEST PCR 8-strip tube and PCR plate. Autoclavable Domed and flat caps are available Tight sealing, easy to open Flat cap is ideal for qPCR The design of domed cap can better prevent liquid evaporation 	

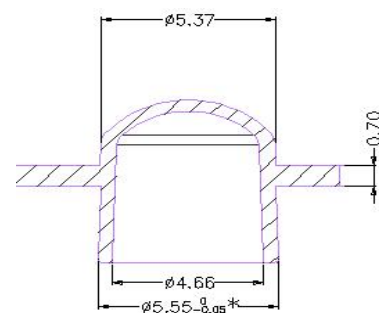
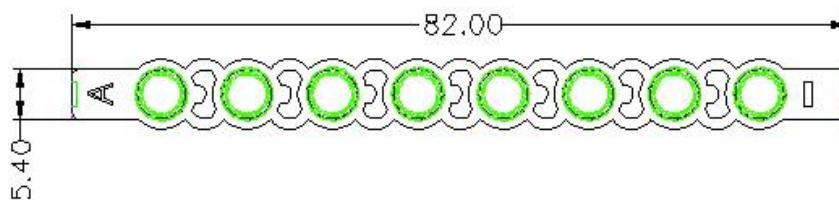
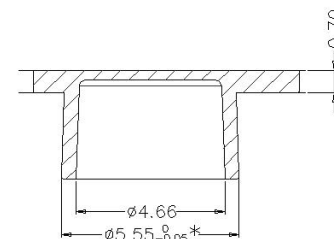
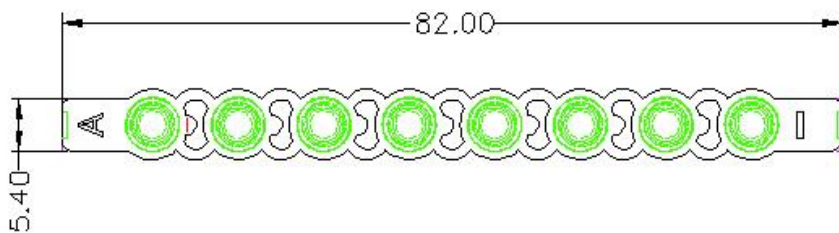
Product Range

Name	Cat. No.	Cap Type	Color	Sterilization	/Pack	/Case
PCR 8-Strip Tubes Caps	406012	Flat	Transparent	No	125	1250
	406022	Flat	Transparent	Yes	125	1250
	406112	Domed	Transparent	No	125	1250
	406122	Domed	Transparent	Yes	125	1250

Head Office No. 530, Xida Road, Meicun Industrial Park, Xinwu District, Wuxi, Jiangsu, China
Tel: +86+ 510-6800 6788 Email: info@nest-wuxi.com
Online: www.cell-nest.com

Oversea NEST USA (New Jersey/ Phoenix)
NEST scientific 株式会社 (Yokohama, Japan)
NEST Scientific Europe B.V (Netherlands)
Nest Scientific (MENA) FZE (Sharjah, United Arab Emirates)

Technical Drawing



Head Office No. 530, Xida Road, Meicun Industrial Park, Xinwu District, Wuxi, Jiangsu, China
 Tel: +86+ 510-6800 6788 Email: info@nest-wuxi.com
 Online: www.cell-nest.com

Oversea NEST USA (New Jersey/ Phoenix)
 NEST scientific 株式会社 (Yokohama, Japan)
 NEST Scientific Europe B.V (Netherlands)
 Nest Scientific (MENA) FZE (Sharjah, United Arab Emirates)